

tel: 416-291-7371 1-800-565-8401
fax: 416-291-8049 1-888-811-2264

web: www.vibro-acoustics.com
eml: info@vibro-acoustics.com

**Double Deflection RD
Rubber-in-Shear Floor Mounts**

RD

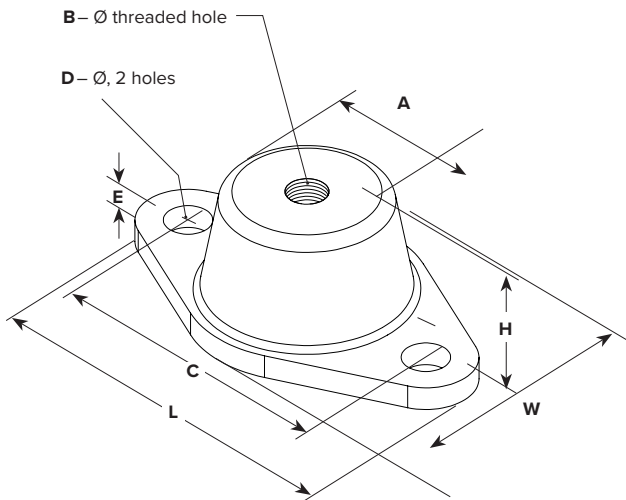
File No.: DS-RD-008

Date: 24 Apr 2020

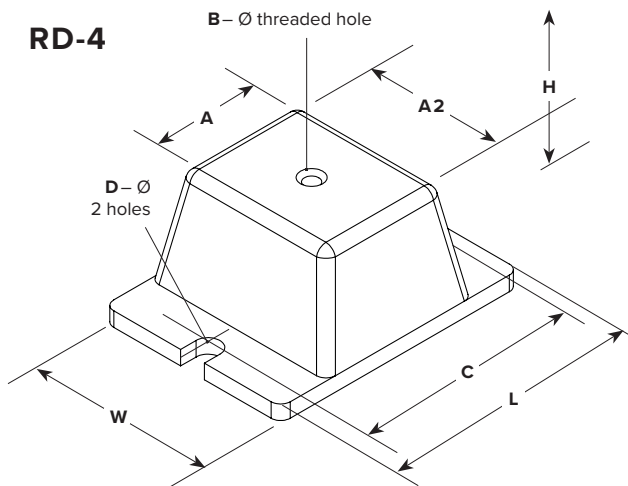
Supersedes: DS-RD-007

Date: 23 May 2019

RD-1, 2, 3



RD-4



PERFORMANCE

Model	Color Code	Max Load		Shore-A Hardness Durometer	Deflection at rated load in mm	Isolator Weight [†] lb kg
		lb	kN			
RD-1	Blue	35	0.16	30	0.40 10	0.13 0.06
	Black	45	0.20	40		
	Red	70	0.31	50		
	Green	120	0.53	60		
RD-2	Blue	135	0.60	30	0.50 13	0.33 0.15
	Black	170	0.76	40		
	Red	240	1.07	50		
	Green	380	1.69	60		
RD-3	Black	250	1.11	40	0.50 13	1.02 0.47
	Red	525	2.34	50		
	Green	750	3.34	60		
	Gray	1100	4.89	70		
RD-4	Black	1500	3.03	40	0.50 13	3.20 1.45
	Red	2250	10.01	50		
	Green	3000	13.34	60		
	Gray	4000	17.79	70		

[†] weights are approximate

DIMENSIONS (in mm)

Type	L	W	H*	A	A2	B	C	D	E
RD-1	3 1/8	1 3/4	1 1/4	1 1/4		5/16	2 3/8	0.34	0.19
	79	44	32	32		8	60	9	5
RD-2	3 7/8	2 3/8	1 3/4	1 3/4		3/8	3	0.34	0.22
	99	60	44	44		10	76	9	6
RD-3	5 1/2	3 3/8	2 7/8	2 1/2		1/2	4 1/8	9/16	1/4
RD-4	6 1/4	4 5/8	2 3/4	3	3 3/4	1/2	5	9/16	3/8
	159	118	70	76	95	13	127	14	10

* free (unloaded) height

NOTES

- "Double-deflection" neoprene type, with neoprene-coated steel surfaces, and top and bottom surfaces ribbed. Isolators have bolt holes in the base
- Natural frequencies as low as 4.5 Hz at maximum loads
- Nominal Shore A hardness durometer is provided for reference only. V-A reserves the right to supply different durometer compounds that meet same performance requirements.

INSTALLATION INSTRUCTIONS

- Properly locate each isolator as indicated below or in accompanying submittal using isolator model and color as identification. If isolators are to be attached to the supporting structure, mark locations and make preparations as appropriate (e.g. drill holes and install anchor bolts).
- Secure isolators to structure as required by accompanying submittal, if included.
- Lower equipment onto isolators and secure with bolts to match threaded holes.

Project:			plan view of mount locations 		1:	6:
Customer:					2:	7:
Consultant:					3:	8:
Dwg No.:	Rev.:	Drawn by:			4:	9:
V-A Project Manager:			5:	10:	QTY of sets required:	
TAG:			EQUIPMENT:			
COMMENTS:						DATE: