

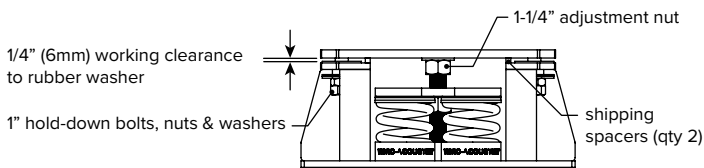
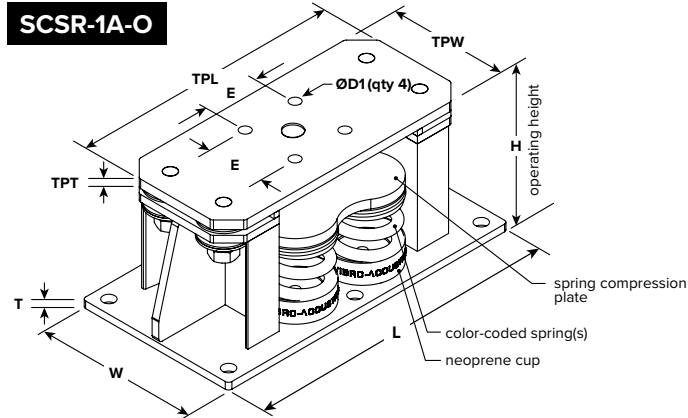
T 416-291-7371 1-800-565-8401 E info@vibro-acoustics.com
F 416-291-8049 1-888-811-2264 vibro-acoustics.com

**1" (25 mm) Deflection Seismic
Restrained Spring Isolators
(with oversized plate)**

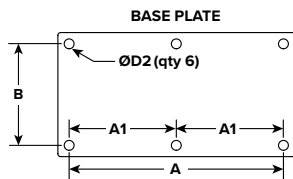
SCSR-1A-O
9200-18000

File No.: DS-SCSR-Q-1A-O
Supersedes: New

Date: Feb 5, 2019
Date: New



DIMENSIONS				
L	W	H	E	T
in mm	in mm	in mm	in mm	in mm
21 533	11 279	9 229	3 3/4 95	1/2 13
TPL	TPW	TPT	ØD1	ØD1 - UNC tapped
in mm	in mm	in mm	in mm	in mm
18 457	8 203	5/8 16	3/4 19	5/8 16



AxB dimensions typically used for connecting to concrete.

DIMENSIONS			
A	B	A1	ØD2
in mm	in mm	in mm	in mm
19 483	9 229	9 1/2 241	7/8 22

PERFORMANCE					
Model	Spring Color outer-inner	Rated Load		Deflection at rated load	Isolator Weight †
		lb	kN	in mm	lb kg
SCSR-1A-O-9200	(4)Red-Blue	9200	40.92	1.0 25	128 58
SCSR-1A-O-10000	(4)Red-Ivory	10000	44.48	1.0 25	128 58
SCSR-1A-O-12000	(4)Black	12000	53.38	1.0 25	124 56
SCSR-1A-O-13200	(4)Black-Black	13200	58.72	1.0 25	128 58
SCSR-1A-O-14000	(4)Black-Yellow	14000	62.28	1.0 25	131 60
SCSR-1A-O-15200	(4)Black-Blue	15200	67.61	1.0 25	131 60
SCSR-1A-O-16000	(4)Black-Ivory	16000	71.17	1.0 25	131 60
SCSR-1A-O-18000	(4)Black-White	18000	80.07	1.0 25	131 60

† weights are approximate

NOTES

- > Laterally stable and all-direction restrained spring type isolator with steel housing and heavy top plate for equipment support
- > Welded high-strength steel housing with vertically restraining limit stops
- > Top plate and restraining bolts designed to be out of contact with housing during normal operation
- > Reinforced neoprene elements used in all-directional snubbers to prevent short-circuiting vibration isolation
- > Springs have minimum 50% additional travel to solid and kx/ky ratio of 0.8
- > Housing and compression plate are hot-dipped galvanized for corrosion protection
- > Isolator lateral capacities exceed 1.0 G. Review calculations or contact Vibro-Acoustics for further information
- > Springs are powder-coated enamel; hardware is zinc plated
- > Neoprene spring support cups provide high-frequency vibration isolation
- > As an option, top plates may be supplied with UNC tapped holes for securing to supported equipment.
- > If less than 80% of the top plate is covered by the supported equipment, an additional plate of the same thickness must be added. See installation instructions for further information. Contact Vibro-Acoustics to order separate matching top plates as needed.

OPTION		TAPPED HOLES IN TOP PLATE	
Project:		Plan view of mount locations: 	
Customer:			
Consultant:		1. 6. 2. 7. 3. 8. 4. 9. 5. 10.	
Dwg No.:	Rev: Drawn by:		
V-A Project Manager:		QTY of sets required:	
TAG:		EQUIPMENT:	
COMMENTS:		DATE:	