

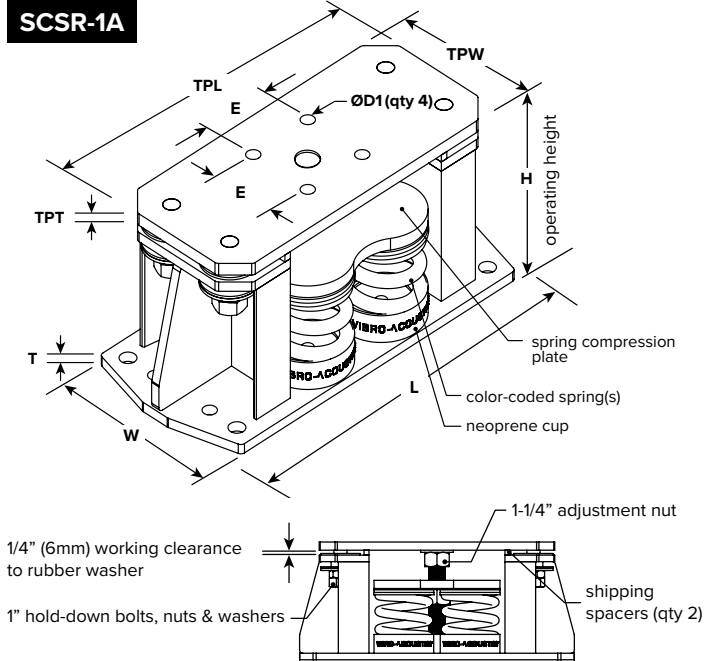
T 416-291-7371 1-800-565-8401 E info@vibro-acoustics.com
F 416-291-8049 1-888-811-2264 vibro-acoustics.com

**1" (25 mm) Deflection Seismic
Restrained Spring Isolators**

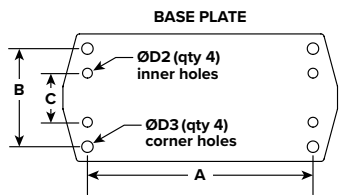
SCSR-1A
9200-18000

File No.: DS-SCSR-Q-1A
Supersedes: New

Date: Feb 5, 2019
Date: New



DIMENSIONS				
L	W	H	E	T
in mm	in mm	in mm	in mm	in mm
21 533	9 3/4 248	9 229	3 3/4 95	1/2 13
TPL	TPW	TPT	ØD1	ØD1 - UNC tapped
in mm	in mm	in mm	in mm	in mm
18 457	8 203	5/8 16	3/4 19	5/8 16



AxB dimensions typically used for connecting to concrete.

AxC dimensions typically used for connecting to steel structure.

DIMENSIONS				
A	B	C	ØD2	ØD3
in mm	in mm	in mm	in mm	in mm
17 1/4 438	7 1/2 191	3 3/4 95	3/4 19	7/8 22

PERFORMANCE				
Model	Spring Color outer-inner	Rated Load	Deflection at rated load	Isolator Weight †
		lb kN	in mm	lb kg
SCSR-1A-9200	(4)Red-Blue	9200 40.92	1.0 25	123 56
SCSR-1A-10000	(4)Red-Ivory	10000 44.48	1.0 25	123 56
SCSR-1A-12000	(4)Black	12000 53.38	1.0 25	120 54
SCSR-1A-13200	(4)Black-Black	13200 58.72	1.0 25	123 56
SCSR-1A-14000	(4)Black-Yellow	14000 62.28	1.0 25	127 57
SCSR-1A-15200	(4)Black-Blue	15200 67.61	1.0 25	127 57
SCSR-1A-16000	(4)Black-Ivory	16000 71.17	1.0 25	127 57
SCSR-1A-18000	(4)Black-White	18000 80.07	1.0 25	127 57

† weights are approximate

NOTES

- > Laterally stable and all-direction restrained spring type isolator with steel housing and heavy top plate for equipment support
- > Welded high-strength steel housing with vertically restraining limit stops
- > Top plate and restraining bolts designed to be out of contact with housing during normal operation
- > Reinforced neoprene elements used in all-directional snubbers to prevent short-circuiting vibration isolation
- > Springs have minimum 50% additional travel to solid and kx/ky ratio of 0.8
- > Housing and compression plate are hot-dipped galvanized for corrosion protection
- > Isolator lateral capacities exceed 1.0 G. Review calculations or contact Vibro-Acoustics for further information
- > Springs are powder-coated enamel; hardware is zinc plated
- > Neoprene spring support cups provide high-frequency vibration isolation
- > As an option, top plates may be supplied with UNC tapped holes for securing to supported equipment.
- > If less than 80% of the top plate is covered by the supported equipment, an additional plate of the same thickness must be added. See installation instructions for further information. Contact Vibro-Acoustics to order separate matching top plates as needed.

OPTION					TAPPED HOLES IN TOP PLATE			
Project:		Plan view of mount locations: 			1.	6.		
Customer:					2.	7.		
Consultant:					3.	8.		
Dwg No.:	Rev:				4.	9.		
Drawn by:					5.	10.		
V-A Project Manager:		QTY of sets required:						
TAG:		EQUIPMENT:						
COMMENTS:		DATE:						