

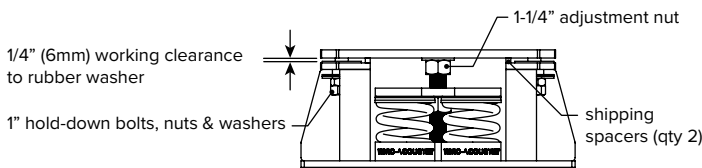
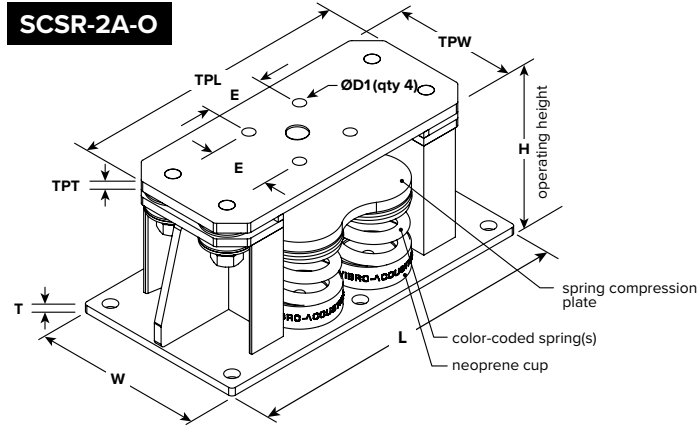
T 416-291-7371 1-800-565-8401 E info@vibro-acoustics.com
F 416-291-8049 1-888-811-2264 vibro-acoustics.com

**2" (50 mm) Deflection Seismic
Restrained Spring Isolators
(with oversized plate)**

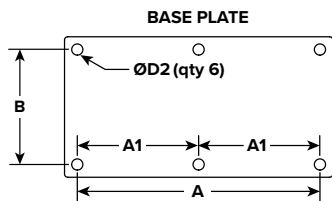
SCSR-2A-O
9200-18000

File No.: DS-SCSR-Q-2A-O
Supersedes: New

Date: Feb 5, 2019
Date: New



| DIMENSIONS | | | | |
|------------|------------|-----------|----------|------------------|
| L | W | H | E | T |
| in mm | in mm | in mm | in mm | in mm |
| 22 3/4 578 | 12 1/4 311 | 9 1/2 241 | 3 3/4 95 | 1/2 13 |
| TPL | TPW | TPT | ØD1 | ØD1 - UNC tapped |
| in mm | in mm | in mm | in mm | in mm |
| 19 1/4 489 | 8 203 | 5/8 16 | 3/4 19 | 5/8 16 |



AxB dimensions typically used for connecting to concrete.

| DIMENSIONS | | | |
|------------|------------|------------|--------|
| A | B | A1 | ØD2 |
| in mm | in mm | in mm | in mm |
| 20 3/4 527 | 10 1/4 260 | 10 3/8 264 | 7/8 22 |

| PERFORMANCE | | | | | |
|-----------------|-----------------------------|------------|-------|-----------------------------|----------------------|
| Model | Spring Color outer-inner | Rated Load | | Deflection at rated load | Isolator Weight † |
| | | lb | kN | | |
| SCSR-2A-O-9200 | (4)Black-Green | 9200 | 40.92 | 2.0 51 | 157 71 |
| SCSR-2A-O-10000 | (4)Black-Yellow | 10000 | 44.48 | 2.0 51 | 157 71 |
| SCSR-2A-O-11200 | (4)Black-Black | 11200 | 49.82 | 2.0 51 | 157 71 |
| SCSR-2A-O-12000 | (4)Black-Ivory | 12000 | 53.38 | 2.0 51 | 157 71 |
| SCSR-2A-O-13200 | (4)Blue | 13200 | 58.72 | 2.0 51 | 157 71 |
| SCSR-2A-O-14000 | (4)Blue-Orange | 14000 | 62.28 | 2.0 51 | 160 73 |
| SCSR-2A-O-15200 | (4)Blue-Yellow | 15200 | 67.61 | 2.0 51 | 160 73 |
| SCSR-2A-O-16400 | (4)Blue-Black | 16400 | 72.95 | 2.0 51 | 160 73 |
| SCSR-2A-O-17200 | (4)Blue-Ivory | 17200 | 76.51 | 2.0 51 | 163 74 |
| SCSR-2A-O-18000 | (4)Blue-Red | 18000 | 80.07 | 2.0 51 | 163 74 |

† weights are approximate

NOTES

- > Laterally stable and all-direction restrained spring type isolator with steel housing and heavy top plate for equipment support
- > Welded high-strength steel housing with vertically restraining limit stops
- > Top plate and restraining bolts designed to be out of contact with housing during normal operation
- > Reinforced neoprene elements used in all-directional snubbers to prevent short-circuiting vibration isolation
- > Springs have minimum 50% additional travel to solid and kx/ky ratio of 0.8
- > Housing and compression plate are hot-dipped galvanized for corrosion protection
- > Isolator lateral capacities exceed 1.0 G. Review calculations or contact Vibro-Acoustics for further information
- > Springs are powder-coated enamel; hardware is zinc plated
- > Neoprene spring support cups provide high-frequency vibration isolation
- > As an option, top plates may be supplied with UNC tapped holes for securing to supported equipment.
- > If less than 80% of the top plate is covered by the supported equipment, an additional plate of the same thickness must be added. See installation instructions for further information. Contact Vibro-Acoustics to order separate matching top plates as needed.

| OPTION | | TAPPED HOLES IN TOP PLATE | |
|----------------------|------|-----------------------------------|-----|
| Project: | | Plan view of mount locations: | |
| Customer: | | | |
| Consultant: | | 1. | 6. |
| Dwg No.: | Rev: | | |
| Drawn by: | | 3. | 8. |
| V-A Project Manager: | | 4. | 9. |
| TAG: | | 5. | 10. |
| COMMENTS: | | EQUIPMENT: | |
| | | DATE: | |