

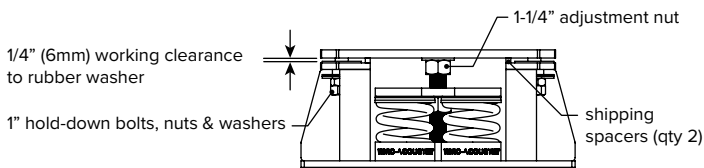
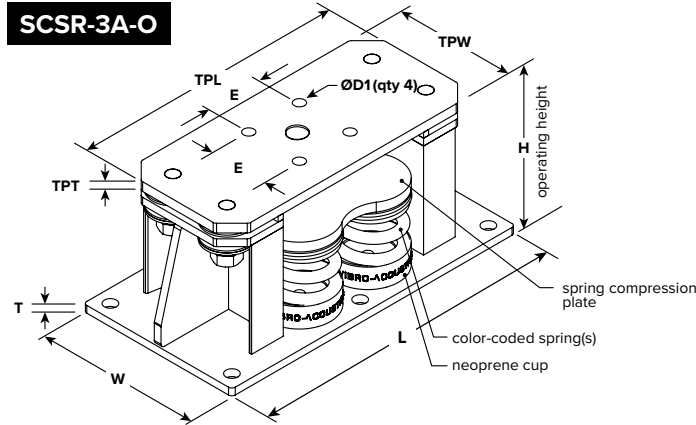
T 416-291-7371 1-800-565-8401 E info@vibro-acoustics.com  
F 416-291-8049 1-888-811-2264 vibro-acoustics.com

**3" (76 mm) Deflection Seismic  
Restrained Spring Isolators  
(with oversized plate)**

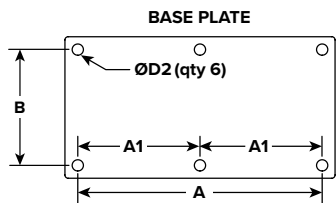
**SCSR-3A-O**  
10000-16400

File No.: DS-SCSR-Q-3A-O  
Supersedes: New

Date: Feb 5, 2019  
Date: New



DIMENSIONS				
L	W	H	E	T
in mm	in mm	in mm	in mm	in mm
25 1/4 641	14 356	11 3/8 289	3 3/4 95	1/2 13
TPL	TPW	TPT	ØD1	ØD1 - UNC tapped
in mm	in mm	in mm	in mm	in mm
22 559	10 254	5/8 16	3/4 19	5/8 16



AxB dimensions typically used for connecting to concrete.

DIMENSIONS			
A	B	A1	ØD2
in mm	in mm	in mm	in mm
23 1/4 591	12 305	11 5/8 295	7/8 22

PERFORMANCE					
Model	Spring Color outer-inner	Rated Load		Deflection at rated load	Isolator Weight †
		lb	kN		
SCSR-3A-O-10000	(4)White-Black	10000	44.48	3.0 76	215 97
SCSR-3A-O-11200	(4)Red	11200	49.82	3.0 76	215 97
SCSR-3A-O-12000	(4)Red-Yellow	12000	53.38	3.0 76	222 101
SCSR-3A-O-13200	(4)Red-Red	13200	58.72	3.0 76	227 103
SCSR-3A-O-14400	(4)Red-Blue	14400	64.05	3.0 76	227 103
SCSR-3A-O-16400	(4)Red-Black	16400	72.95	3.0 76	227 103

† weights are approximate

**NOTES**

- > Laterally stable and all-direction restrained spring type isolator with steel housing and heavy top plate for equipment support
- > Welded high-strength steel housing with vertically restraining limit stops
- > Top plate and restraining bolts designed to be out of contact with housing during normal operation
- > Reinforced neoprene elements used in all-directional snubbers to prevent short-circuiting vibration isolation
- > Springs have minimum 50% additional travel to solid and kx/ky ratio of 0.8
- > Housing and compression plate are hot-dipped galvanized for corrosion protection
- > Isolator lateral capacities exceed 1.0 G. Review calculations or contact Vibro-Acoustics for further information
- > Springs are powder-coated enamel; hardware is zinc plated
- > Neoprene spring support cups provide high-frequency vibration isolation
- > As an option, top plates may be supplied with UNC tapped holes for securing to supported equipment.
- > If less than 80% of the top plate is covered by the supported equipment, an additional plate of the same thickness must be added. See installation instructions for further information. Contact Vibro-Acoustics to order separate matching top plates as needed.

OPTION		TAPPED HOLES IN TOP PLATE		
Project:	Plan view of mount locations:		1.	6.
Customer:			2.	7.
Consultant:			3.	8.
Dwg No.:	Rev:	Drawn by:	4.	9.
V-A Project Manager:			5.	10.
TAG:			QTY of sets required:	
COMMENTS:			EQUIPMENT:	
			DATE:	