

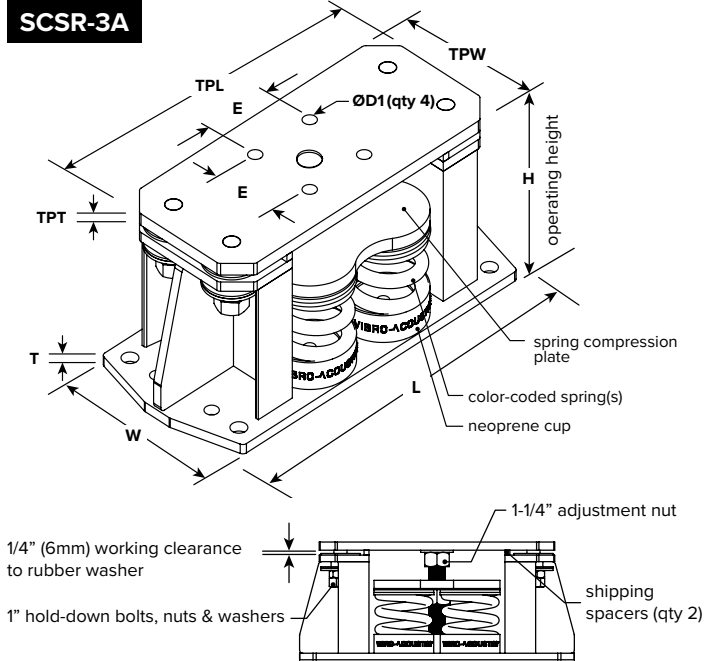
T 416-291-7371 1-800-565-8401 E info@vibro-acoustics.com
F 416-291-8049 1-888-811-2264 vibro-acoustics.com

**3" (76 mm) Deflection Seismic
Restrained Spring Isolators**

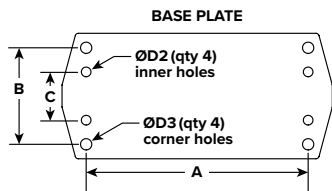
SCSR-3A
10000-16400

File No.: DS-SCSR-Q-3A
Supersedes: New

Date: Feb 5, 2019
Date: New



DIMENSIONS				
L	W	H	E	T
in	mm	in	mm	in
25 1/4	641	12 3/4	324	11 3/8
289	3 3/4	95	1/2	13
TPL	TPW	TPT	ØD1	ØD1 - UNC tapped
in	mm	in	mm	in
22	559	10	254	5/8
16	3/4	19	5/8	16



AxB dimensions typically used for connecting to concrete.

AxC dimensions typically used for connecting to steel structure.

DIMENSIONS				
A	B	C	ØD2	ØD3
in	mm	in	mm	in
21	533	10 3/4	273	3 3/4
95	3/4	19	7/8	22

PERFORMANCE					
Model	Spring Color outer-inner	Rated Load		Deflection at rated load	Isolator Weight †
		lb	kN		
SCSR-3A-10000	(4)White-Black	10000	44.48	3.0 76	205 93
SCSR-3A-11200	(4)Red	11200	49.82	3.0 76	205 93
SCSR-3A-12000	(4)Red-Yellow	12000	53.38	3.0 76	212 96
SCSR-3A-13200	(4)Red-Red	13200	58.72	3.0 76	217 98
SCSR-3A-14400	(4)Red-Blue	14400	64.05	3.0 76	217 98
SCSR-3A-16400	(4)Red-Black	16400	72.95	3.0 76	217 98

† weights are approximate

NOTES

- > Laterally stable and all-direction restrained spring type isolator with steel housing and heavy top plate for equipment support
- > Welded high-strength steel housing with vertically restraining limit stops
- > Top plate and restraining bolts designed to be out of contact with housing during normal operation
- > Reinforced neoprene elements used in all-directional snubbers to prevent short-circuiting vibration isolation
- > Springs have minimum 50% additional travel to solid and kx/ky ratio of 0.8
- > Housing and compression plate are hot-dipped galvanized for corrosion protection
- > Isolator lateral capacities exceed 1.0 G. Review calculations or contact Vibro-Acoustics for further information
- > Springs are powder-coated enamel; hardware is zinc plated
- > Neoprene spring support cups provide high-frequency vibration isolation
- > As an option, top plates may be supplied with UNC tapped holes for securing to supported equipment.
- > If less than 80% of the top plate is covered by the supported equipment, an additional plate of the same thickness must be added. See installation instructions for further information. Contact Vibro-Acoustics to order separate matching top plates as needed.

OPTION		TAPPED HOLES IN TOP PLATE		
Project:		Plan view of mount locations: 		
Customer:				
Consultant:				
Dwg No.:	Rev:			Drawn by:
V-A Project Manager:				
TAG:		EQUIPMENT:		
COMMENTS:		DATE:		