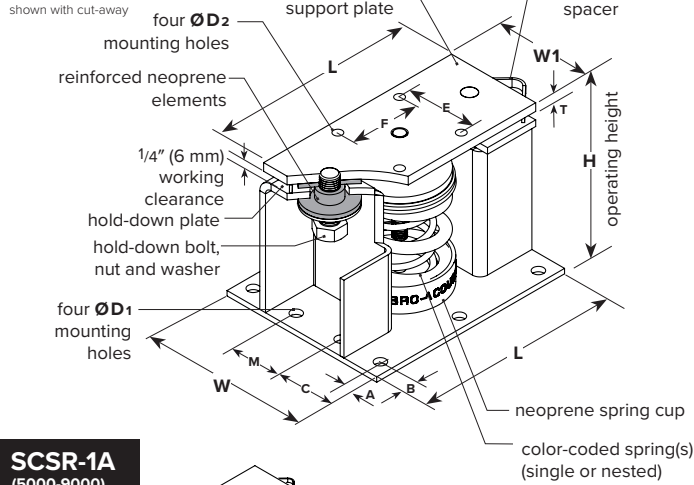
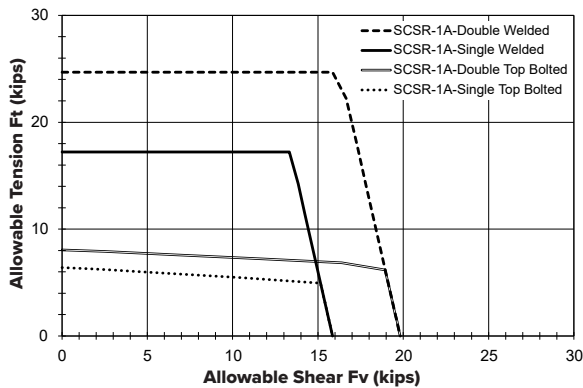
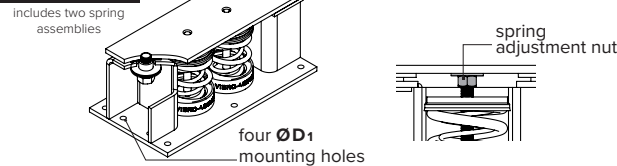


SCSR-1A (50-4500)



SCSR-1A (5000-9000)



NOTES

- The ratings assigned to the SCSR with single spring incorporate an additional safety factor of 1.25 which is considered for the shear and tension capacities.
- "Top bolted" ratings are based on using (4) A307 bolts to secure top plate to equipment or base.
- "Welded" ratings are based on using fillet weld with 1/4" leg size and 3.5" length on both sides of top plate above hold down bolts.
- Laterally and vertically restrained spring type isolators with housing and heavy top plates for equipment support.

SCSR Seismic Restrained Spring Isolator

STEEL STRUCTURE

SCSR 1A

File No.: DS-SCSR1-S-020

Date: 15 Aug 2023

Supersedes: DS-SCSR1-S-019

Date: 3 Aug 2021

PERFORMANCE

Model	Spring Color outer-inner	Rated Load		Deflection at rated load		Isolator Weight †	
		lb	kN	in	mm	lb	kg
SCSR-1A-H-50	Black	50	0.22	1	25	43.4	19.7
SCSR-1A-H-150	Black-White	150	0.67	1	25	44.1	20
SCSR-1A-H-200	Grey	200	0.89	1	25	44.1	20
SCSR-1A-H-300	Grey-White	300	1.33	1	25	44.7	20.3
SCSR-1A-H-400	Grey-Grey	400	1.78	1	25	44.6	20.2
SCSR-1A-H-500	Orange	500	2.22	1	25	45.3	20.5
SCSR-1A-H-600	Orange-White	600	2.67	1	25	45.9	20.8
SCSR-1A-H-700	Orange-Grey	700	3.11	1	25	45.9	20.8
SCSR-1A-H-800	Orange-Black	800	3.56	1	25	45.1	20.5
SCSR-1A-900	Orange-Green	900	4.00	1	25	45.8	20.8
SCSR-1A-H-1000	White	1000	4.45	1	25	46.4	21
SCSR-1A-H-1100	White-White	1100	4.89	1	25	46.4	21
SCSR-1A-H-1200	White-Grey	1200	5.34	1	25	46.6	21.1
SCSR-1A-H-1300	White-Black	1300	5.78	1	25	47.2	21.4
SCSR-1A-H-1400	White-Green	1400	6.23	1	25	47.2	21.4
SCSR-1A-H-1500	Red	1500	6.67	1	25	46.9	21.3
SCSR-1A-H-1600	Red-White	1600	7.12	1	25	46.9	21.3
SCSR-1A-H-1800	Red-Black	1800	8.01	1	25	47.3	21.5
SCSR-1A-H-2000	Red-Yellow	2000	8.90	1	25	45.1	20.5
SCSR-1A-H-2500	Red-Ivory	2500	11.12	1	25	47.2	21.4
SCSR-1A-H-3000	Red-White	3000	13.34	1	25	47.6	21.6
SCSR-1A-H-3500	Black-Red	3500	15.57	1	25	47.8	21.7
SCSR-1A-H-3800	Black-Blue	3800	16.90	1	25	47.8	21.7
SCSR-1A-H-4000	Black-Ivory	4000	17.80	1	25	48.4	22
SCSR-1A-H-4500	Black-White	4500	20.02	1	25	49	22.2
SCSR-1A-H-5000	(2) Red-Ivory	5000	22.24	1	25	87	39.5
SCSR-1A-H-6000	(2) Red-White	6000	26.69	1	25	88	39.9
SCSR-1A-H-6600	(2) Black-Black	6600	29.36	1	25	88	39.9
SCSR-1A-H-7000	(2) Black-Yellow	7000	31.14	1	25	89	40.3
SCSR-1A-H-7600	(2) Black-Blue	7600	33.81	1	25	89	40.3
SCSR-1A-H-8000	(2) Black-Ivory	8000	35.59	1	25	90	40.8
SCSR-1A-H-9000	(2) Black-White	9000	40.03	1	25	92	41.7

† weights are approximate

DIMENSIONS

Model	L		W		H		A		B		C		M	
	in	mm	in	mm	in	mm	in	mm	in	mm	in	mm	in	mm
50-4500	12 5/8	321	10	254	9	229	3/4	19	1	25	3 1/2	89	3	76
5000-9000	21	533	11	279	9	229	1 1/8	29	1 1/8	29	3 3/8	92	3 3/4	95

Model	W1		E		F		ØD1		ØD2		T	
	in	mm	in	mm	in	mm	in	mm	in	mm	in	mm
50-4500	5 5/8	143	4 1/8	105	4 1/8	105	1 1/8	17	3/8	14	1/2	13
5000-9000	7	178	4 1/2	114	10 1/2	267	1 1/8	17	1 1/8	17	1/2	13

- Welded steel construction housings with vertically restraining limit stops.
- Top Plate and restraining bolts are designed to be out of contact with housing during normal operation.
- Reinforcing neoprene elements (snubbers) are incorporated to minimize short-circuiting of restraining bolts. Springs supported with neoprene cups for noise isolation.
- Minimum 50% additional travel to solid. Minimum kx/ky ratio of 0.8.
- Housing is hot-dipped galvanized. All springs are powder-coated. Other components are plated or coated for outdoor applications.

Project:			Plan view of mount locations:				1.	6.
Customer:							2.	7.
Consultant:							3.	8.
Dwg No.:	Rev:	Drawn by:					4.	9.
V-A Project Manager:							5.	10.
TAG:							QTY of sets required:	
COMMENTS:			EQUIPMENT:				DATE:	