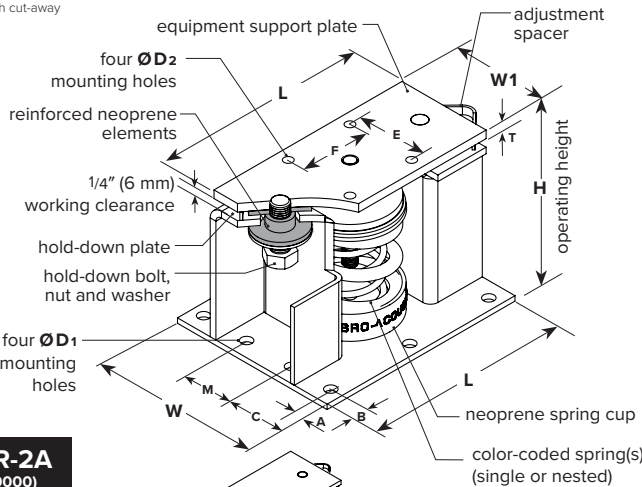


tel: 416-291-7371 1-800-565-8401 web: www.vibro-acoustics.com
 fax: 416-291-8049 1-888-811-2264 eml: info@vibro-acoustics.com

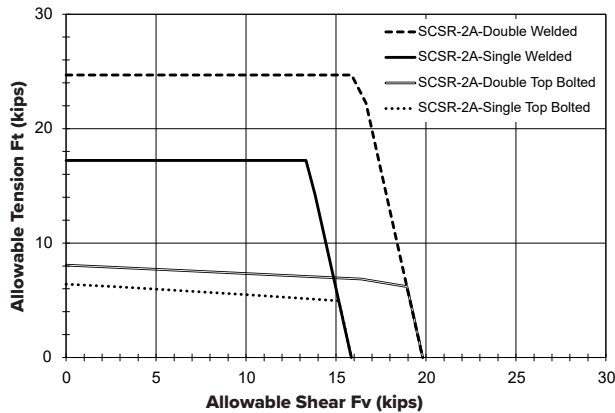
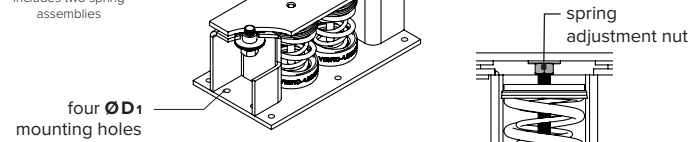
SCSR-2A (50-4500)

shown with cut-away



SCSR-2A (5000-9000)

includes two spring assemblies



NOTES

- The ratings assigned to the SCSR with single spring incorporate an additional safety factor of 1.25 which is considered for the shear and tension capacities.
- "Top bolted" ratings are based on using (4) A307 bolts to secure top plate to equipment or base.
- "Welded" ratings are based on using fillet weld with 1/4" leg size and 3.5" length on both sides of top plate above hold down bolts.
- Laterally and vertically restrained spring type isolators with housing and heavy top plates for equipment support.

SCSR Seismic Restrained Spring Isolator

STEEL STRUCTURE

SCSR

2A

File No.: DS-SCSR2-S-020

Date: 15 Aug 2023

Supersedes: DS-SCSR2-S-019

Date: 3 Aug 2021

PERFORMANCE

Model	Spring Color outer-inner	Rated Load		Deflection at rated load		Isolator Weight †	
		lb	kN	in	mm	lb	kg
SCSR-2A-H-50	Grey	50	0.22	2.0	51	43.4	19.7
SCSR-2A-H-100	Blue	100	0.44	2.0	51	43.4	19.7
SCSR-2A-H-150	Grey-White	150	0.67	2.0	51	44.1	20.0
SCSR-2A-H-200	Blue-White	200	0.89	2.0	51	44.1	20.0
SCSR-2A-H-300	Blue-Orange	300	1.33	2.0	51	44.7	20.3
SCSR-2A-H-400	Red	400	1.78	2.0	51	44.6	20.2
SCSR-2A-H-500	Red-White	500	2.22	2.0	51	45.3	20.5
SCSR-2A-H-600	Red-Orange	600	2.67	2.0	51	45.9	20.8
SCSR-2A-H-700	Red-Green	700	3.11	2.0	51	45.9	20.8
SCSR-2A-H-800	Green	800	3.56	2.0	51	45.1	20.5
SCSR-2A-H-900	Green-White	900	4.00	2.0	51	45.8	20.8
SCSR-2A-H-1000	Green-Orange	1000	4.45	2.0	51	46.4	21.0
SCSR-2A-H-1100	Green-Green	1100	4.89	2.0	51	46.4	21.0
SCSR-2A-H-1200	Green-Grey	1200	5.34	2.0	51	46.6	21.1
SCSR-2A-H-1400	Green-Blue	1400	6.23	2.0	51	47.2	21.4
SCSR-2A-H-1600	Green-Black	1600	7.12	2.0	51	46.9	21.3
SCSR-2A-H-1800	Green-Ivory	1800	8.01	2.0	51	47.3	21.5
SCSR-2A-H-2000	Black	2000	8.90	2.0	51	45.1	20.5
SCSR-2A-H-2200	Black-Orange	2200	9.97	2.0	51	46.4	21.0
SCSR-2A-H-2400	Black-Grey	2400	10.68	2.0	51	46.6	21.1
SCSR-2A-H-2600	Black-Blue	2600	11.57	2.0	51	47.2	21.4
SCSR-2A-H-2800	Black-Black	2800	12.46	2.0	51	46.9	21.3
SCSR-2A-H-3200	Black-Red	3200	14.23	2.0	51	47.6	21.6
SCSR-2A-H-3700	Blue-Grey	3700	16.45	2.0	51	47.8	21.7
SCSR-2A-H-4100	Blue-Black	4100	18.24	2.0	51	48.4	22.0
SCSR-2A-H-4500	Blue-Red	4500	20.02	2.0	51	49.0	22.2
SCSR-2A-H-5200	(2)Black-Blue	5200	23.13	2.0	51	94.0	42.6
SCSR-2A-H-6400	(2)Black-Red	6400	28.46	2.0	51	96.0	43.5
SCSR-2A-H-7400	(2)Blue-Grey	7400	32.92	2.0	51	98.0	44.5
SCSR-2A-H-8200	(2)Blue-Black	8200	36.48	2.0	51	100.0	45.4
SCSR-2A-H-9000	(2)Blue-Red	9000	40.03	2.0	51	104.0	47.2

† weights approximate

DIMENSIONS

Model	L in mm	W in mm	H in mm	A in mm	B in mm	C in mm	M in mm
50-4500	12 5/8 321	10 25/4	9 22/9	3/4 19	1 25	3 1/2 89	3 7/6
5200-9000	21 53/3	11 27/9	9 22/9	1 1/8 29	1 1/8 29	3 5/8 92	3 3/4 95

Model	W1 in mm	E in mm	F in mm	ØD1 in mm	ØD2 in mm	T in mm
50-4500	5 5/8 143	4 1/8 105	4 1/8 105	1 1/8 17	3/8 14	1/2 13
5200-9000	7 17/8	4 1/2 114	10 1/2 267	1 1/8 17	1 1/8 17	1/2 13

- Welded steel construction housings with vertically restraining limit stops.
- Top Plate and restraining bolts are designed to be out of contact with housing during normal operation.
- Reinforcing neoprene elements(snubbers) are incorporated to minimize short-circuiting of restraining bolts. Springs supported with neoprene cups for noise isolation.
- Minimum 50% additional travel to solid. Minimum kx/ky ratio of 0.8.
- Housing is hot-dipped galvanized. All springs are powder-coated. Other components are plated or coated for outdoor applications.

Project:			Plan view of mount locations: 				1.	6.
Customer:							2.	7.
Consultant:			3.	8.				
Dwg No.:	Rev:	Drawn by:	4.	9.				
V-A Project Manager:			5.	10.				
TAG:			EQUIPMENT:				QTY of sets required:	
COMMENTS:							DATE:	