

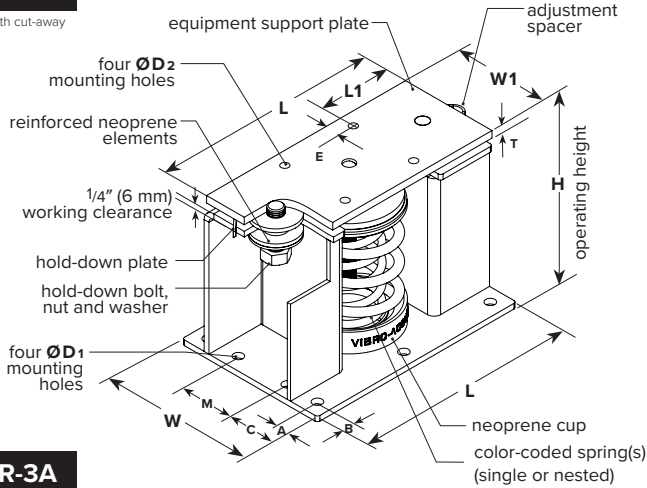
tel: 416-291-7371
fax: 416-291-8049

1-800-565-8401
1-888-811-2264

web: www.vibro-acoustics.com
eml: info@vibro-acoustics.com

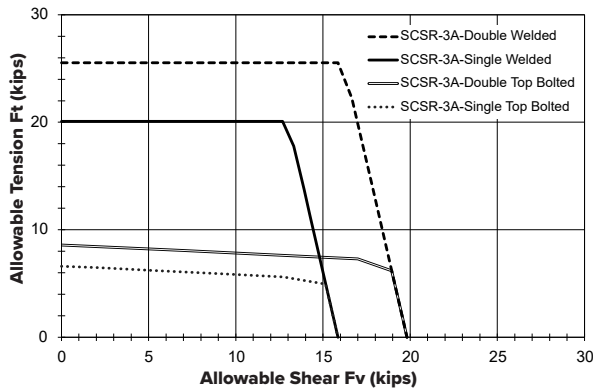
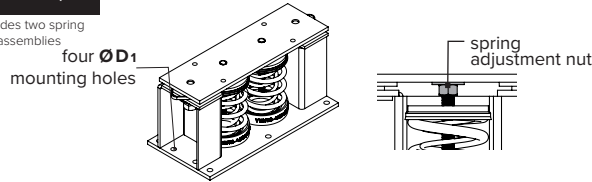
SCSR-3A (100-4100)

shown with cut-away



SCSR-3A (4400-8200)

includes two spring assemblies



NOTES

- The ratings assigned to the SCSR with single spring incorporate an additional safety factor of 1.25 which is considered for the shear and tension capacities.
- "Top bolted" ratings are based on using (4) A307 bolts to secure top plate to equipment or base.
- "Welded" ratings are based on using fillet weld with 1/4" leg size and 3.5" length on both sides of top plate above hold down bolts.
- Laterally and vertically restrained spring type isolators with housing and heavy top plates for equipment support.

SCSR Seismic Restrained Spring Isolator STEEL STRUCTURE

SCSR 3A

File No.: DS-SCSR3-S-014

Date: 15 Aug 2023

Supersedes: DS-SCSR2-S-013

Date: 3 Aug 2021

PERFORMANCE

Model	Spring Color	Rated Load	Deflection at rated load	Isolator Weight †
	outer-inner	lb kN	in mm	lb kg
SCSR-3A-H-100	Black	100 0.44	3.2 81	68.7 31.2
SCSR-3A-H-200	Black-White	200 0.89	3.1 79	71.0 32.3
SCSR-3A-H-300	Grey	300 1.33	3.1 79	69.7 31.7
SCSR-3A-H-400	Grey-White	400 1.78	3.1 79	72.0 32.7
SCSR-3A-H-500	Grey-Yellow	500 2.22	3.0 76	72.1 32.8
SCSR-3A-H-600	Orange	600 2.67	3.3 84	69.1 31.4
SCSR-3A-H-700	Orange-White	700 3.11	3.3 84	71.4 32.5
SCSR-3A-H-800	Green	800 3.56	3.0 76	69.4 31.5
SCSR-3A-H-900	Green-White	900 4.00	3.0 76	72.1 32.8
SCSR-3A-H-1000	Green-Yellow	1000 4.45	3.0 76	72.2 32.8
SCSR-3A-H-1200	Green-Red	1200 5.34	3.0 76	72.6 33.0
SCSR-3A-H-1500	White	1500 6.67	3.0 76	69.8 31.7
SCSR-3A-H-1900	White-Red	1900 8.44	3.0 76	72.7 33.0
SCSR-3A-H-2200	White-Blue	2200 9.97	3.0 76	73.0 33.2
SCSR-3A-H-2500	White-Black	2500 11.12	3.0 76	72.7 33.0
SCSR-3A-H-3000	Red	3000 13.35	3.0 76	73.0 33.2
SCSR-3A-H-3300	Red-Red	3300 14.68	3.0 76	74.6 33.9
SCSR-3A-H-3600	Red-Blue	3600 16.01	3.0 76	75.0 34.1
SCSR-3A-H-4100	Red-Black	4100 18.24	3.0 76	75.7 34.4
SCSR-3A-H-4400	(2)White-Blue	4400 19.57	3.0 76	111.4 50.6
SCSR-3A-H-5000	(2)White-Black	5000 22.24	3.0 76	110.8 50.4
SCSR-3A-H-5600	(2)Red	5600 24.91	3.0 76	109.1 49.6
SCSR-3A-H-6600	(2)Red-Red	6600 29.36	3.0 76	112.3 51.0
SCSR-3A-H-7200	(2)Red-Blue	7200 32.03	3.0 76	114.0 51.8
SCSR-3A-H-8200	(2)Red-Black	8200 36.48	3.0 76	115.0 52.3

† weights are approximate

DIMENSIONS

Model	L	W	H	A	B	C	M
	in mm	in mm	in mm	in mm	in mm	in mm	in mm
100-4100	15 ³ / ₈ 387	10 ³ / ₈ 264	10 ³ / ₈ 273	1 25	1 25	3 ⁵ / ₁₆ 84	3 ³ / ₄ 95
4400-8200	21 ⁷ / ₈ 556	10 ⁵ / ₈ 270	10 ³ / ₈ 273	1 25	1 25	3 ⁵ / ₁₆ 87	3 ³ / ₄ 95

Model	W1	L1	E	ØD1	ØD2	T
	in mm	in mm	in mm	in mm	in mm	in mm
100-4100	6 ⁵ / ₈ 168	5 127	1 25	1 ¹ / ₁₆ 17	9 ¹ / ₁₆ 14	1/2 13
4400-8200	6 ⁷ / ₈ 175	5 127	1 25	1 ¹ / ₁₆ 17	1 ¹ / ₁₆ 17	1/2 13

- Welded steel construction housings with vertically restraining limit stops.
- Top Plate and restraining bolts are designed to be out of contact with housing during normal operation.
- Reinforcing neoprene elements(snubbers) are incorporated to minimize short-circuiting of restraining bolts. Springs supported with neoprene cups for noise isolation.
- Minimum 50% additional travel to solid. Minimum kx/ky ratio of 0.8.
- Housing is hot-dipped galvanized. All springs are powder-coated. Other components are plated or coated for outdoor applications.

Project:			Plan view of mount locations: 				1.	6.
Customer:							2.	7.
Consultant:							3.	8.
Dwg No.:	Rev:	Drawn by:					4.	9.
V-A Project Manager:			5.	10.	QTY of sets required:			
TAG:			EQUIPMENT:				DATE:	
COMMENTS:								