

tel: 416-291-7371 1-800-565-8401
fax: 416-291-8049 1-888-811-2264

web: www.vibro-acoustics.com
eml: info@vibro-acoustics.com

4" (102 mm) Deflection SCSR Seismic Restrained Spring Isolators (for Concrete)

SCSR-4A Concrete Structure

File No.: DS-SCSR4-C-002

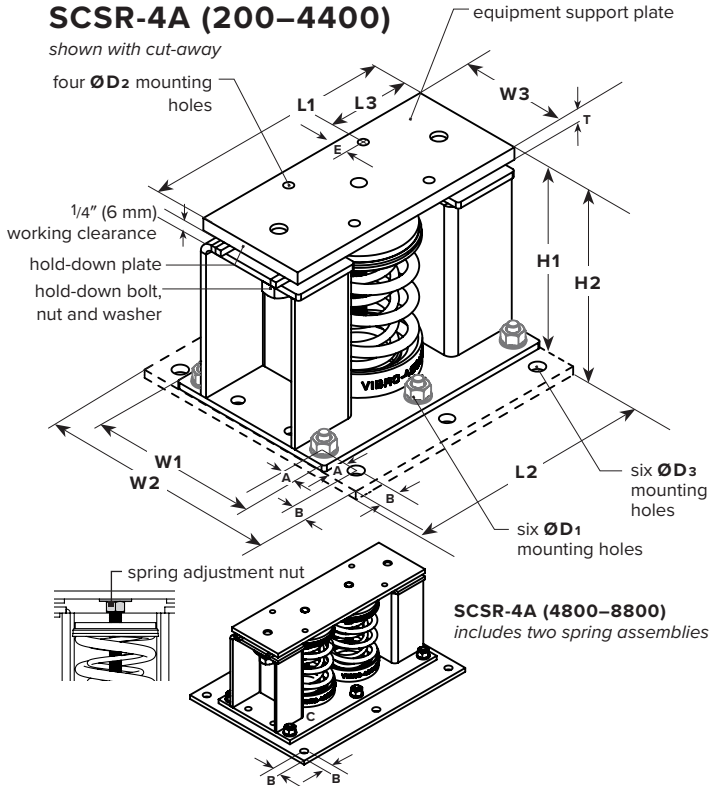
Date: 23 Oct 2019

Supersedes: DS-SCSR4-C-001

Date: 11 Oct 2016

SCSR-4A (200-4400)

shown with cut-away



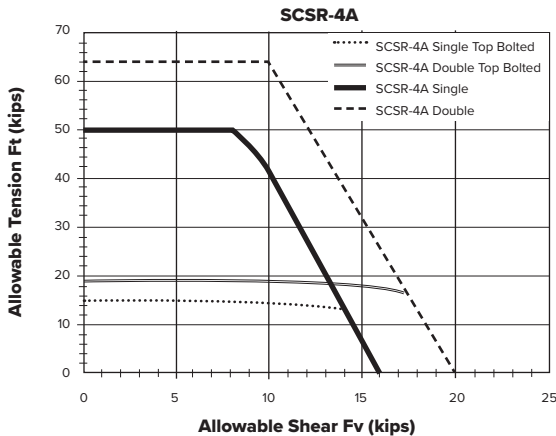
SCSR-4A (4800-8800)

includes two spring assemblies

PERFORMANCE

Model	Spring Color outer-inner	Rated Load		Deflection at rated load		Isolator Weight †	
		lb	kN	in	mm	lb	kg
SCSR-4A-200	Blue	200	0.89	4.0	102	74.6	33.8
SCSR-4A-400	Blue-Blue	400	1.78	4.0	102	75.6	34.3
SCSR-4A-600	Red	600	2.67	4.0	102	72.6	32.9
SCSR-4A-800	Red-Blue	800	3.56	4.0	102	72.9	33.1
SCSR-4A-1000	Red-Red	1000	4.45	4.0	102	75.8	34.4
SCSR-4A-1200	Green	1200	5.34	4.0	102	76.2	34.6
SCSR-4A-1400	Green-Blue	1400	6.23	4.0	102	73.3	33.2
SCSR-4A-1600	Green-Red	1600	7.12	4.0	102	75.1	34.1
SCSR-4A-1800	Green-White	1800	8.01	4.0	102	75.6	34.3
SCSR-4A-2000	Black	2000	8.90	4.0	102	76.3	34.6
SCSR-4A-2200	Black-Blue	2200	9.79	4.0	102	76.7	34.8
SCSR-4A-2400	Black-Red	2400	10.68	4.0	102	76.3	34.6
SCSR-4A-2600	Black-White	2600	11.57	4.0	102	77.7	35.2
SCSR-4A-3000	Black-Black	3000	13.34	4.0	102	78.8	35.7
SCSR-4A-3400	White	3400	15.12	4.0	102	78.3	35.5
SCSR-4A-3800	White-Red	3800	16.90	4.0	102	81.9	37.1
SCSR-4A-4400	White-Black	4400	19.57	4.0	102	84.4	38.3
SCSR-4A-4800	(2)Black-Red	4800	21.35	4.0	102	116.3	52.8
SCSR-4A-5200	(2)Black-White	5200	23.13	4.0	102	114.6	52.0
SCSR-4A-6000	(2)Black-Black	6000	26.69	4.0	102	116.6	52.9
SCSR-4A-6800	(2)White	6800	30.25	4.0	102	117.9	53.5
SCSR-4A-7600	(2)White-Red	7600	33.81	4.0	102	123.9	56.2
SCSR-4A-8800	(2)White-Black	8800	39.14	4.0	102	126.0	57.2

For higher capacities, contact Vibro-Acoustics factory
† weights are approximate
(oversized base plate for 200-4400 is 32 lb., 4800-8800 is 58 lb.)



DIMENSIONS

Model	L1	L2	L3	W1	W2	W3
SCSR-4A	in mm	in mm	in mm	in mm	in mm	in mm
200-4400	15 1/4 387	15 1/4 387	5 127	10 3/8 264	14 7/8 378	6 5/8 168
4800-8800	21 7/8 556	24 610	5 127	10 5/8 270	17 432	6 7/8 175

Model	H1	H2	A	B	E	ØD1	ØD2	ØD3	T
SCSR-4A	in mm	in mm	in mm	in mm	in mm	in mm	in mm	in mm	in mm
200-4400	11 280	11 1/2 292	1 25	1 1/4 32	1 25	11/16 17	9/16 14	7/8 22	3/4 19
4800-8800	11 280	11 1/2 292	1 25	1 1/4 32	1 25	11/16 17	11/16 17	7/8 22	3/4 19

NOTES

- Laterally and vertically restrained spring type isolators with housings and heavy top plates for equipment support
- Welded steel construction housings with vertically restraining limit stops
- Top plate and restraining bolts are designed to be out of contact with housing during normal operation
- Reinforced neoprene elements (snubbers) are incorporated to minimize short-circuiting of restraining bolts
- Minimum 50% additional travel to solid
- "Top bolted" ratings are based on installations where top plate is bolted to equipment or base

- Minimum k_x/k_y ratio of 0.8
- Housing is hot-dipped galvanized
- All components are painted, plated, or coated for outdoor applications
- If less than 80% of the top plate is covered by the supported equipment, use an additional plate
- All springs are powder-coated
- Springs supported with neoprene cups for noise isolation
- Springs are pre-compressed to 35% of the capacity inside the housing

OPTIONS		OVERSIZED BASE PLATE			
Project:		plan view of mount locations 		1:	6:
Customer:				2:	7:
Consultant:				3:	8:
Dwg No.:	Rev:			4:	9:
V-A Project Manager:				5:	10:
TAG:		EQUIPMENT:		QTY of sets required:	
COMMENTS:		DATE:			