

tel: 416-291-7371 1-800-565-8401
fax: 416-291-8049 1-888-811-2264

web: www.vibro-acoustics.com
eml: info@vibro-acoustics.com

**1" (25 mm) Deflection SFS
Seismic Floor Mounted Isolator**

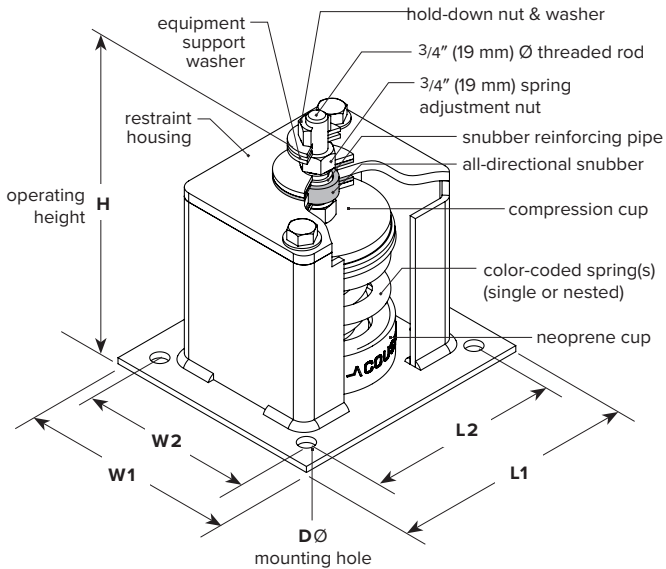
SFS-1A

File No.: DS-SFS1A-004
Supersedes: DS-SFS1-003

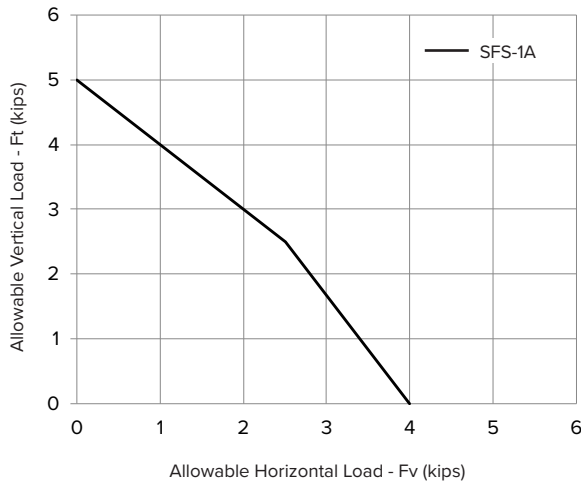
Date: 30 Apr 2020
Date: 5 Mar 2014

SFS-1A

shown with cut-away



RESTRAINT HOUSING LOAD CAPACITY



This load capacity envelope shows the maximum force that can be applied to the isolator housing with appropriate attachment to structure.

PERFORMANCE

Model	Spring Color outer-inner	Rated Load		Deflection at rated load		Isolator Weight †	
		lb	kN	in	mm	lb	kg
SFS-1A-50	Black	50	0.22	1.0	25	28.8	13.1
SFS-1A-150	Black-White	150	0.67	1.0	25	29.5	13.4
SFS-1A-200	Grey	200	0.89	1.0	25	29.5	13.4
SFS-1A-300	Grey-White	300	1.33	1.0	25	30.1	13.7
SFS-1A-400	Grey-Grey	400	1.78	1.0	25	30.0	13.6
SFS-1A-500	Orange	500	2.22	1.0	25	30.7	14.0
SFS-1A-600	Orange-White	600	2.67	1.0	25	31.3	14.2
SFS-1A-700	Orange-Grey	700	3.11	1.0	25	31.3	14.2
SFS-1A-800	Orange-Black	800	3.56	1.0	25	30.5	13.9
SFS-1A-900	Orange-Green	900	4.00	1.0	25	31.2	14.2
SFS-1A-1000	White	1000	4.45	1.0	25	31.8	14.5
SFS-1A-1100	White-White	1100	4.89	1.0	25	31.8	14.5
SFS-1A-1200	White-Grey	1200	5.34	1.0	25	32.0	14.5
SFS-1A-1300	White-Black	1300	5.78	1.0	25	32.0	14.5
SFS-1A-1400	White-Green	1400	6.23	1.0	25	32.6	14.8
SFS-1A-1500	Red	1500	6.67	1.0	25	32.6	14.8
SFS-1A-1600	Red-White	1600	7.12	1.0	25	32.3	14.7
SFS-1A-1800	Red-Black	1800	8.01	1.0	25	32.7	14.9
SFS-1A-2000	Red-Yellow	2000	8.90	1.0	25	30.5	13.9
SFS-1A-2500	Red-Ivory	2500	11.12	1.0	25	32.0	14.5
SFS-1A-3000	Red-White	3000	13.34	1.0	25	33.0	15.0

† weights are approximate

DIMENSIONS

Model	W2	W1	L2	L1
SFS-1A	in mm	in mm	in mm	in mm
50-3000	7 178	9 229	8 203	10 254
	H	Adjustment Nut	Threaded Rod Ø	D Ø
	in mm	in mm	in mm	in mm
	8 3/4 222	3/4 19	3/4 19	11/16 17

NOTES

- Seismically restrained, laterally stable, spring type isolator with welded steel construction housings and support for bolting to equipment.
- Springs supported with neoprene cup for noise isolation.
- Mount includes integral all-directional snubber with elastomeric components preventing metal-to-metal contact and with 1/8" (3 mm) clearance under normal operation.
- Minimum 50% additional travel to solid
- Minimum k_x/k_y ratio of 0.8
- Housing powder-coated; hardware zinc-plated; springs powder-coated

Project:			plan view of mount locations 		1:	6:
Customer:					2:	7:
Consultant:					3:	8:
Dwg No.:	Rev.:	Drawn by:			4:	9:
V-A Project Manager:			5:	10:	QTY of sets required:	
TAG:			EQUIPMENT:			
COMMENTS:					DATE:	