

tel: 416-291-7371 1-800-565-8401
fax: 416-291-8049 1-888-811-2264

web: www.vibro-acoustics.com
eml: info@vibro-acoustics.com

1" (25 mm) Deflection SFS
Seismic Floor Mounted Isolator

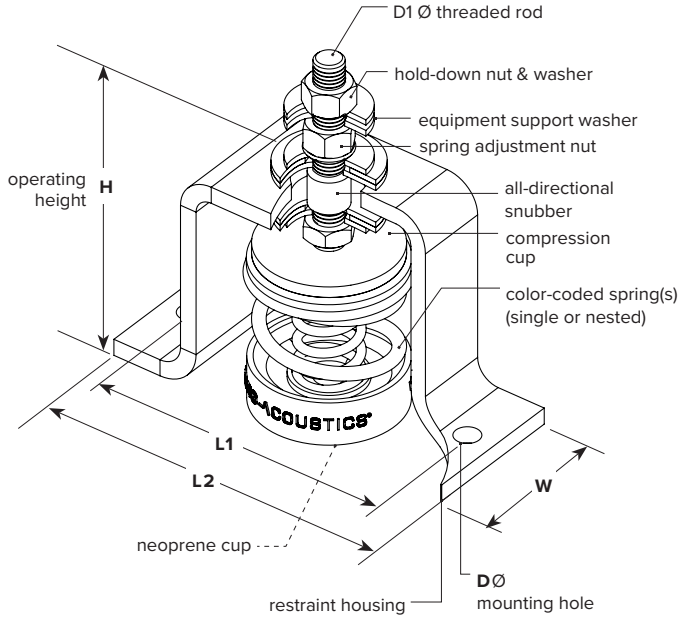
SFS-SA

File No.: DS-SFSSA-014
Supersedes: DS-SFSSA-013

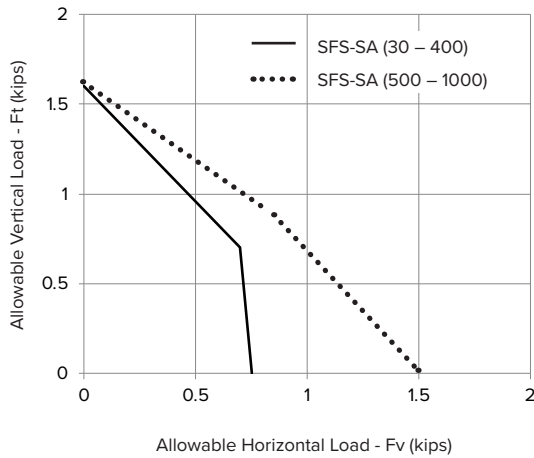
Date: 30 APR 2020
Date: 31 Oct 2017

SFS-SA

shown with cut-away



RESTRAINT HOUSING LOAD CAPACITY



This load capacity envelope shows the maximum force that can be applied to the isolator housing with appropriate attachment to structure.

PERFORMANCE

Model	Spring Color outer-inner	Rated Load		Deflection at rated load		Isolator Weight	
		lb	kN	in	mm	lb	kg
SFS-SA-30	Grey	30	0.13	1.0	25	5.7	2.6
SFS-SA-45	Grey-White	45	0.20	1.0	25	5.8	2.6
SFS-SA-60	Grey-Yellow	60	0.27	1.0	25	5.8	2.6
SFS-SA-75	Grey-Orange	75	0.33	1.0	25	5.8	2.6
SFS-SA-100	Orange	100	0.44	1.0	25	5.9	2.7
SFS-SA-115	Orange-White	115	0.51	1.0	25	5.9	2.7
SFS-SA-130	Orange-Yellow	130	0.58	1.0	25	6.0	2.7
SFS-SA-145	Orange-Orange	145	0.64	1.0	25	6.0	2.7
SFS-SA-160	Orange-Red	160	0.71	1.0	25	6.0	2.7
SFS-SA-200	White	200	0.89	1.0	25	5.9	2.7
SFS-SA-215	White-White	215	0.96	1.0	25	6.0	2.7
SFS-SA-230	White-Yellow	230	1.02	1.0	25	6.0	2.7
SFS-SA-245	White-Orange	245	1.09	1.0	25	6.0	2.7
SFS-SA-260	White-Red	260	1.16	1.0	25	6.0	2.7
SFS-SA-300	White-Blue	300	1.33	1.0	25	6.1	2.8
SFS-SA-350	White-Black	350	1.56	1.0	25	6.1	2.8
SFS-SA-400	White-Grey	400	1.80	1.0	25	6.2	2.8
SFS-SA-500	Blue	500	2.22	1.0	25	8.1	3.7
SFS-SA-545	Blue-Orange	545	2.42	1.0	25	8.2	3.7
SFS-SA-600	Blue-Blue	600	2.67	1.0	25	8.2	3.7
SFS-SA-650	Blue-Black	650	2.89	1.0	25	8.2	3.7
SFS-SA-700	Blue-Grey	700	3.11	1.0	25	8.3	3.7
SFS-SA-800	Green	800	3.56	1.0	25	8.5	3.9
SFS-SA-845	Green-Orange	845	3.76	1.0	25	8.6	3.9
SFS-SA-900	Green-Blue	900	4.00	1.0	25	8.6	3.9
SFS-SA-950	Green-Black	950	4.23	1.0	25	8.6	3.9
SFS-SA-1000	Green-Grey	1000	4.44	1.0	25	8.8	4.0

DIMENSIONS

Model	L1	L2	W	H	Adj. Nut	D1 Threaded Rod Ø	D Ø
SFS-SA	in mm	in mm	in mm	in mm	in mm	in mm	in mm
30-400	6 1/8 156	7 1/2 191	3 7/8 98	6 1/2 165	1/2 13	1/2 13	9/16 14
500-1000	6 3/4 171	8 203	3 1/4 83	6 1/2 165	5/8 16	5/8 16	9/16 14

NOTES

- Seismically restrained, laterally stable, open spring type isolator with support for bolting to equipment.
- Springs supported with neoprene cup for noise isolation.
- Mount includes integral all-directional snubber with elastomeric components preventing metal-to-metal contact and with 1/8" (3 mm) clearance under normal operation.
- Minimum 50% additional travel to solid
- Minimum k_x/k_y ratio of 0.8
- Carbon steel housing hot-dip galvanized; hardware zinc-plated; springs powder coated

Project:			plan view of mount locations 		1:	6:
Customer:					2:	7:
Consultant:					3:	8:
Dwg No.:	Rev.:	Drawn by:			4:	9:
V-A Project Manager:			5:	10:	QTY of sets required:	
TAG:			EQUIPMENT:			
COMMENTS:					DATE:	