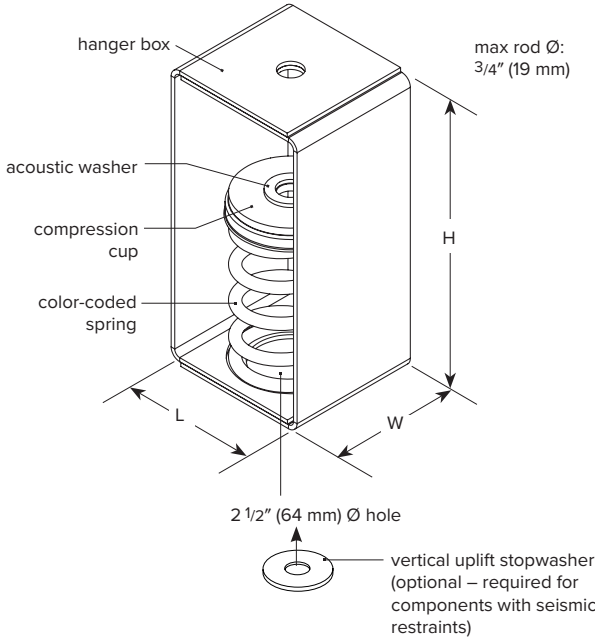


**2" (51 mm) Deflection SH  
Spring Hangers**

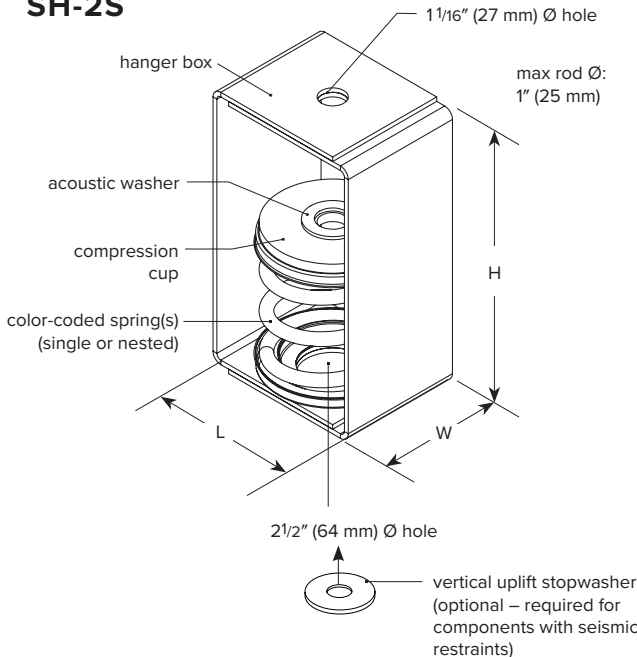
**SH-2**

File No.: DS-SH2-010 Date: 07 Nov 2020  
Supersedes: DS-SH2-009 Date: 24 Feb 2016

**SH-2N**



**SH-2S**



**PERFORMANCE**

Model	Spring Color outer-inner	Rated Load		Deflection at rated load		Isolator Weight †	
		lb	kN	in	mm	lb	kg
SH-2N-50	Red	50	0.22	2.0	51	7.2	3.3
SH-2N-100	White	100	0.44	2.0	51	7.3	3.3
SH-2N-200	Orange	200	0.89	2.0	51	7.9	3.6
SH-2N-300	Green	300	1.33	2.1	53	7.9	3.6
SH-2N-400	Grey	400	1.78	2.0	51	8.1	3.7
SH-2N-500	Yellow	500	2.22	2.1	53	8.3	3.7
SH-2N-600	Blue	600	2.67	2.0	51	8.7	4.0
SH-2N-800	Black	800	3.56	2.1	53	8.4	3.8
SH-2N-1000	Ivory	1000	4.45	2.0	51	8.8	4.0
SH-2S-800	Green	800	3.56	2.0	51	16.5	7.5
SH-2S-900	Green-White	900	4.00	2.0	51	17.2	7.8
SH-2S-1000	Green-Orange	1000	4.45	2.0	51	17.8	8.1
SH-2S-1100	Green-Green	1100	4.89	2.0	51	17.8	8.1
SH-2S-1200	Green-Grey	1200	5.34	2.0	51	18.1	8.2
SH-2S-1300	Green-Yellow	1300	5.78	2.0	51	18.2	8.3
SH-2S-1400	Green-Blue	1400	6.23	2.0	51	18.7	8.5
SH-2S-1600	Green-Black	1600	7.12	2.1	53	18.3	8.3
SH-2S-1800	Green-Ivory	1800	8.01	2.0	51	18.7	8.5

† weights are approximate

**DIMENSIONS: SH-2N**

Model	L in mm	W in mm	H in mm
SH-2N			
50–1000	5 127	4 102	10 1/4 260

**DIMENSIONS: SH-2S**

Model	L in mm	W in mm	H in mm
SH-2S			
800–1800	6 1/2 165	5 127	11 1/2 292

**NOTES**

- Spring hanger with steel spring and welded steel housing
- Hanger is designed to allow support rod misalignment through a 30-degree arc without contacting the hanger box
- Vertical uplift stopwasher must be added on spring hangers for seismically restrained equipment, duct or piping
- Minimum 50% additional travel to solid
- Springs are powder coated
- Compression cups are zinc plated or powder coated
- Higher capacities are available. Contact Vibro-Acoustics for more information.
- Housings are powder coated or galvanized

<b>Project:</b>			plan view of hanger locations		1:	6:
<b>Customer:</b>					2:	7:
<b>Consultant:</b>					3:	8:
<b>Dwg No.:</b>	<b>Rev.:</b>	<b>Drawn by:</b>			4:	9:
<b>V-A Project Manager:</b>					5:	10:
<b>TAG:</b>					<b>QTY of sets required:</b>	
<b>COMMENTS:</b>			<b>EQUIPMENT:</b>			
					<b>DATE:</b>	