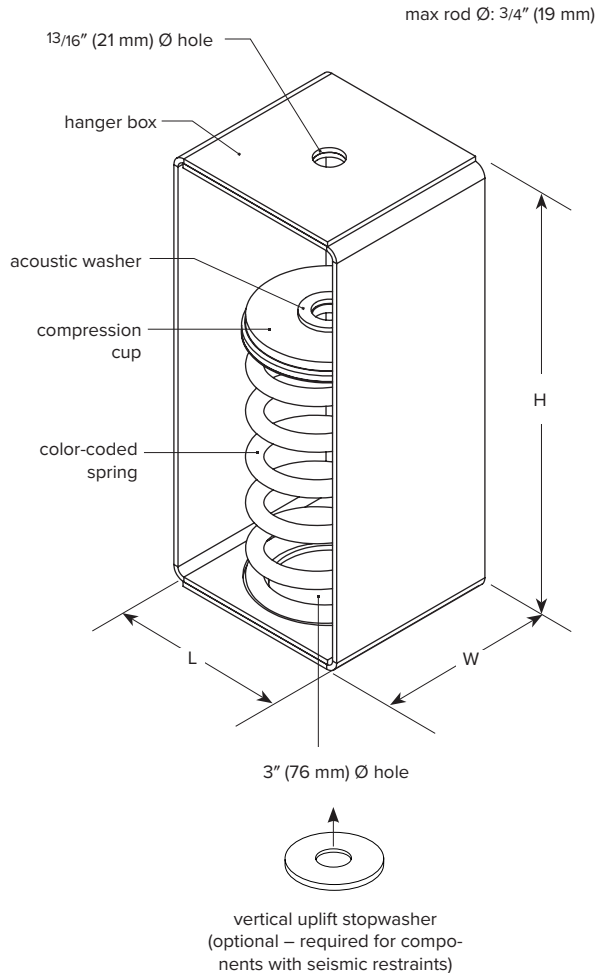


tel: 416-291-7371 1-800-565-8401 web: www.vibro-acoustics.com  
fax: 416-291-8049 1-888-811-2264 eml: info@vibro-acoustics.com

File No.: DS-SH3-008 Date: 09 Nov 2020  
Supersedes: DS-SH3-007 Date: 24 Feb 2016



**PERFORMANCE**

Model	Spring Color	Rated Load		Deflection at rated load		Isolator Weight †	
		lb	kN	in	mm	lb	kg
SH-3N-100	White	100	0.44	3.0	76	10.2	4.6
SH-3N-200	Yellow	200	0.89	3.0	76	10.4	4.7
SH-3N-400	Red	400	1.78	3.0	76	10.7	4.9
SH-3N-700	Blue	700	3.11	3.0	76	11.1	5.0

† weights are approximate

**DIMENSIONS**

Model	L	W	H
SH-3N	in	mm	in
100–700	5 1/2	140	12 1/2

**NOTES**

- Spring hanger with steel spring and welded steel housing
- Hanger is designed to allow support rod misalignment through a 30-degree arc without contacting the hanger box.
- Vertical uplift stopwasher must be added on spring hangers for seismically restrained equipment, duct or piping
- Minimum 50% additional travel to solid
- Higher capacities are available. Contact Vibro-Acoustics for more information.
- Springs are powder coated
- Compression cups are powder coated or zinc plated
- Housings are powder coated or galvanized

<b>Project:</b>			plan view of hanger locations 		1:	6:	
<b>Customer:</b>					2:	7:	
<b>Consultant:</b>					3:	8:	
<b>Dwg No.:</b>	<b>Rev.:</b>	<b>Drawn by:</b>			4:	9:	
<b>V-A Project Manager:</b>					5:	10:	
<b>TAG:</b>			<b>QTY of sets required:</b>				
<b>COMMENTS:</b>			<b>EQUIPMENT:</b>				
						<b>DATE:</b>	