

2" (51 mm) Deflection SHB Spring Hanger with Bottom Cup

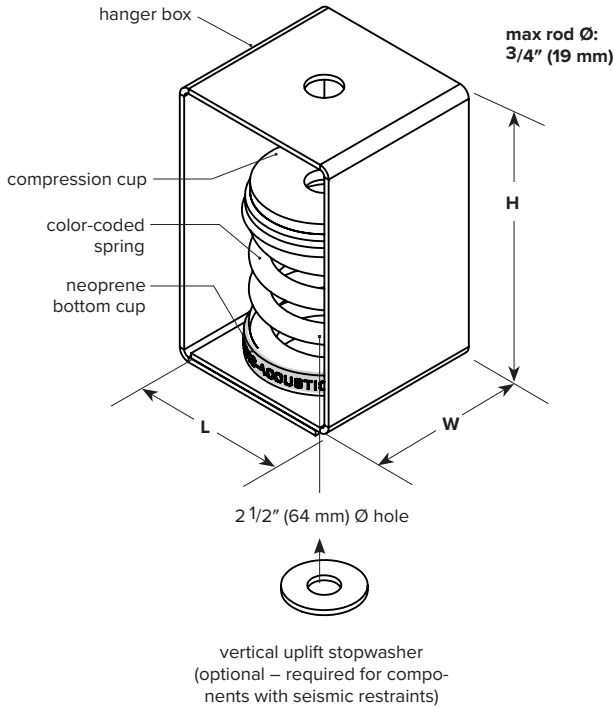
SHB-2

File No.: DS-SHB2-007

Date: 05 May 2022

Supersedes: DS-SHB2-006

Date: 07 Nov 2020



PERFORMANCE

Model	Spring Color	Rated Load		Deflection at rated load		Isolator Weight †	
		lb	kN	in	mm	lb	kg
SHB-2N-50	Red	50	0.22	2.0	51	7.2	3.3
SHB-2N-100	White	100	0.44	2.0	51	7.3	3.3
SHB-2N-200	Orange	200	0.89	2.0	51	7.9	3.6
SHB-2N-300	Green	300	1.33	2.1	53	7.9	3.6
SHB-2N-400	Grey	400	1.78	2.0	51	8.1	3.7
SHB-2N-500	Yellow	500	2.22	2.1	53	8.3	3.7
SHB-2N-600	Blue	600	2.67	2.0	51	8.7	4.0
SHB-2N-800	Black	800	3.56	2.1	53	8.4	3.8
SHB-2N-1000	Ivory	1000	4.45	2.0	51	8.8	4.0

† weights are approximate

DIMENSIONS: SHB-2N

Model	L	W	H			
SHB-2N	in	mm	in	mm		
50-1000	5	127	4 1/4	114	8 5/8	219

NOTES

- Spring hanger with steel spring in a welded steel housing
- Spring sits in a molded neoprene cup which includes a sleeve through the bottom hole
- Hanger is designed to allow support rod misalignment through a 30-degree arc without contacting the hanger box
- Vertical uplift stopwasher must be added on spring hangers for seismically restrained equipment, duct or piping
- Minimum 50% additional travel to solid
- Spring are powder coated
- Compression cups are powder coated or zinc plated
- Housings are powder coated or galvanized
- All elements are safe at solid loading

Project:			Plan view of mount locations: <input type="checkbox"/> <input type="checkbox"/> <input type="checkbox"/> <input type="checkbox"/> <input type="checkbox"/>		1.	6.
Customer:					2.	7.
Consultant:			<input type="checkbox"/> <input type="checkbox"/> <input type="checkbox"/> <input type="checkbox"/> <input type="checkbox"/>		3.	8.
Dwg No.:	Rev:	Drawn by:			4.	9.
V-A Project Manager:					5.	10.
TAG:			EQUIPMENT:		QTY of sets required:	
COMMENTS:					DATE:	