

**1" (25 mm) Deflection SHCB  
Spring Ceiling Hangers with  
Bottom Cup**

**SHCB-SN**

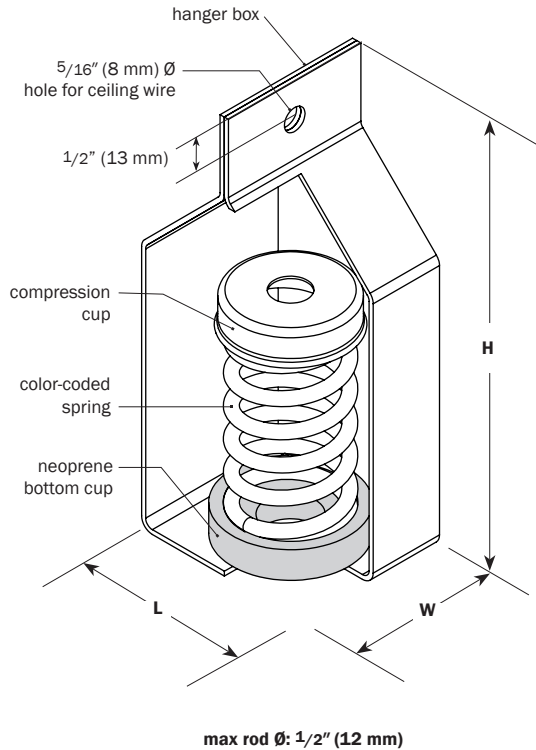
tel: 416-291-7371 1-800-565-8401  
fax: 416-291-8049 1-888-811-2264

web: www.vibro-acoustics.com  
eml: info@vibro-acoustics.com

File No.: DS-SHCBSN-003  
Supersedes: DS-SHCBSN-002

Date: 16 Sep 2011  
Date: 6 Jun 2011

Model shown with cut-away



**PERFORMANCE**

Model	Spring Color	Rated Load		Deflection at rated load		Isolator Weight †	
		lb	kN	in	mm	lb	kg
SHCB-SN-15	White	15	0.07	1.0	25	0.6	0.3
SHCB-SN-30	Yellow	30	0.13	1.0	25	0.6	0.3
SHCB-SN-45	Orange	45	0.20	1.0	25	0.7	0.3
SHCB-SN-60	Red	60	0.27	1.0	25	0.7	0.3
SHCB-SN-100	Blue	100	0.44	1.0	25	0.7	0.3
SHCB-SN-150	Black	150	0.67	1.0	25	0.7	0.3
SHCB-SN-200	Grey	200	0.67	1.0	25	0.8	0.4

† weights are approximate

**DIMENSIONS**

Model	L	W	H
SHCB-SN	in mm	in mm	in mm
15-200	2 1/2 64	2 51	6 152

**NOTES**

- Spring hanger with steel spring in a welded steel housing
- Spring sits in a molded neoprene cup which includes a sleeve through the bottom hole
- Minimum 50% additional travel to solid
- Springs are powder coated, housings and compression cups are galvanized

Project:			1:		6:	
Customer:			2:		7:	
Consultant:			3:		8:	
Dwg No.:	Rev:	Drawn by:	4:		9:	
V-A Project Manager:			5:		10:	
TAG:			EQUIPMENT:			
COMMENTS:					DATE:	
			QTY of sets required:			