

tel: 416-291-7371 1-800-565-8401
fax: 416-291-8049 1-888-811-2264

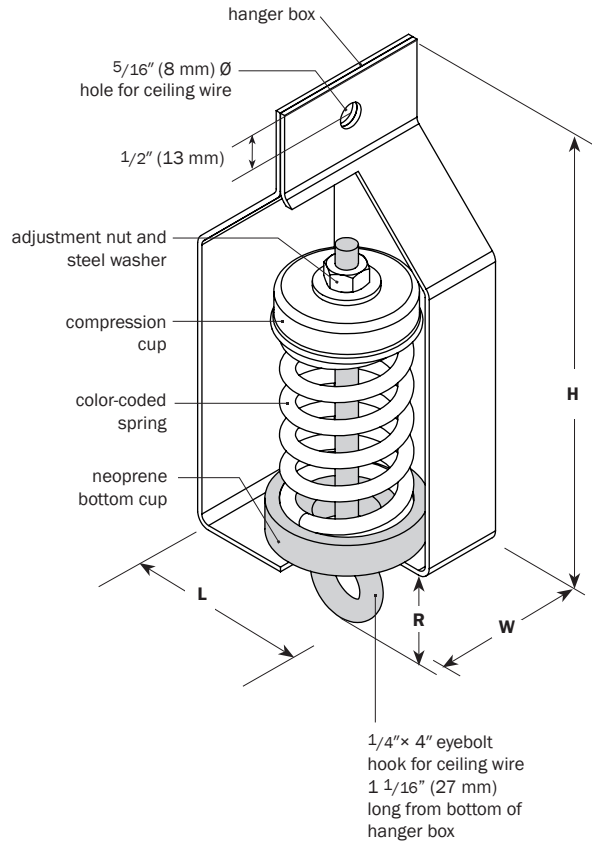
web: www.vibro-acoustics.com
eml: info@vibro-acoustics.com

**1" (25 mm) Deflection SHCHB
Spring Ceiling Hangers
with Hook and Bottom Cup**

SHCHB-SN

File No.: DS-SHCHBSN-002 Date: 6 Jun 2011
Supersedes: DS-SHCHBSN-001 Date: 22 Sep 2010

Model shown with cut-away



PERFORMANCE

Model	Spring Color	Rated Load		Deflection at rated load		Isolator Weight †	
		lb	kN	in	mm	lb	kg
SHCHB-SN-15	White	15	0.07	1.0	25	0.8	0.4
SHCHB-SN-30	Yellow	30	0.13	1.0	25	0.9	0.4
SHCHB-SN-45	Orange	45	0.20	1.0	25	0.9	0.4
SHCHB-SN-60	Red	60	0.27	1.0	25	0.9	0.4
SHCHB-SN-100	Blue	100	0.44	1.0	25	1.0	0.4
SHCHB-SN-150	Black	150	0.67	1.0	25	1.0	0.4

† weights are approximate

DIMENSIONS

Model	L	W	H	R
SHCHB-SN	in	in	in	in
15-150	2 1/2 64	2 51	6 152	1 1/16 27

NOTES

- Spring hanger with steel spring in a welded steel housing
- A spring sits in a molded neoprene cup which includes a sleeve through the bottom hole to prevent eyebolt hook from touching hanger box
- Minimum 50% additional travel to solid
- Springs are powder coated, housings and compression cups are galvanized
- All hardware zinc-plated, Grade 2 minimum

Project:			1:		6:	
Customer:			2:		7:	
Consultant:			3:		8:	
Dwg No.:		Rev:	4:		9:	
V-A Project Manager:			5:		10:	
TAG:			EQUIPMENT:			
COMMENTS:					DATE:	
			QTY of sets required:			