

1" (25 mm) Deflection SHRB Spring Hanger with Neoprene and Bottom Cup

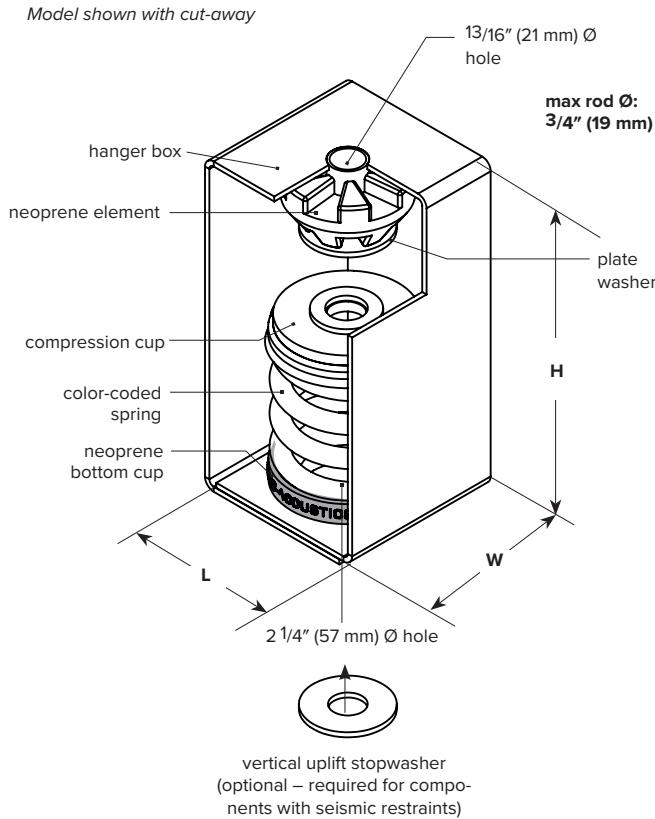
SHRB-1

File No.: DS-SHRB1-008

Date: 05 May 2022

Supersedes: DS-SHRB1-007

Date: 07 Nov 2020



| PERFORMANCE | | | | | | | | |
|--------------|--------------|---------------|------------|------|--------------------------|----|-------------------|-----|
| Model | Spring Color | Element Color | Rated Load | | Deflection at rated load | | Isolator Weight † | |
| | | | lb | kN | in | mm | lb | kg |
| SHRB-1N-50* | Blue | Green | 50 | 0.22 | 1.0 | 25 | 5.5 | 2.5 |
| SHRB-1N-100* | White | Green | 100 | 0.44 | 1.0 | 25 | 5.8 | 2.6 |
| SHRB-1N-150* | Orange | Green | 150 | 0.67 | 1.0 | 25 | 5.7 | 2.6 |
| SHRB-1N-200* | Grey | Green | 200 | 0.89 | 1.0 | 25 | 6.0 | 2.7 |
| SHRB-1N-300 | Black | Green | 300 | 1.33 | 1.0 | 25 | 6.2 | 2.8 |
| SHRB-1N-400 | Green | Red | 400 | 1.78 | 1.0 | 25 | 6.2 | 2.8 |
| SHRB-1N-500 | Yellow | Black | 500 | 2.22 | 1.0 | 25 | 6.6 | 3.0 |
| SHRB-1N-600 | Red | Blue | 600 | 2.67 | 1.0 | 25 | 6.7 | 3.0 |
| SHRB-1N-800 | Blue | Blue | 800 | 3.56 | 1.0 | 25 | 6.9 | 3.1 |

* for smaller hanger box, see SHRB-SN † weights are approximate

| DIMENSIONS: SHRB-1N | | | |
|---------------------|-------|-----|-------|
| Model | L | W | H |
| | in | mm | in |
| SHRB-1N | 4 1/4 | 108 | 8 1/4 |
| 50–800 | 4 1/4 | 108 | 8 1/4 |

NOTES

- Spring hanger with steel spring and neoprene element in series in a welded steel housing
- Spring sits in a molded neoprene cup which includes a sleeve through the bottom hole
- Hanger is designed to allow support rod misalignment through a 30-degree arc without contacting the hanger box
- Vertical uplift stopwasher must be added on spring hangers for seismically restrained equipment, duct or piping
- Minimum 50% additional travel to solid
- Springs are powder coated
- Compression cups are powder coated or zinc plated
- Housings are powder coated or galvanized
- All elements are safe at solid loading

| | | | | | | | |
|----------------------|------|-----------|---|--|--|-----------------------|-----|
| Project: | | | Plan view of mount locations: <input type="checkbox"/> <input type="checkbox"/> <input type="checkbox"/> <input type="checkbox"/> <input type="checkbox"/> | | | 1. | 6. |
| Customer: | | | | | | 2. | 7. |
| Consultant: | | | <input type="checkbox"/> <input type="checkbox"/> <input type="checkbox"/> <input type="checkbox"/> <input type="checkbox"/> | | | 3. | 8. |
| Dwg No.: | Rev: | Drawn by: | | | | 4. | 9. |
| V-A Project Manager: | | | EQUIPMENT: | | | 5. | 10. |
| TAG: | | | | | | QTY of sets required: | |
| COMMENTS: | | | | | | DATE: | |