

2" (51 mm) Deflection SHRB Spring Hanger with Neoprene and Bottom Cup

SHRB-2

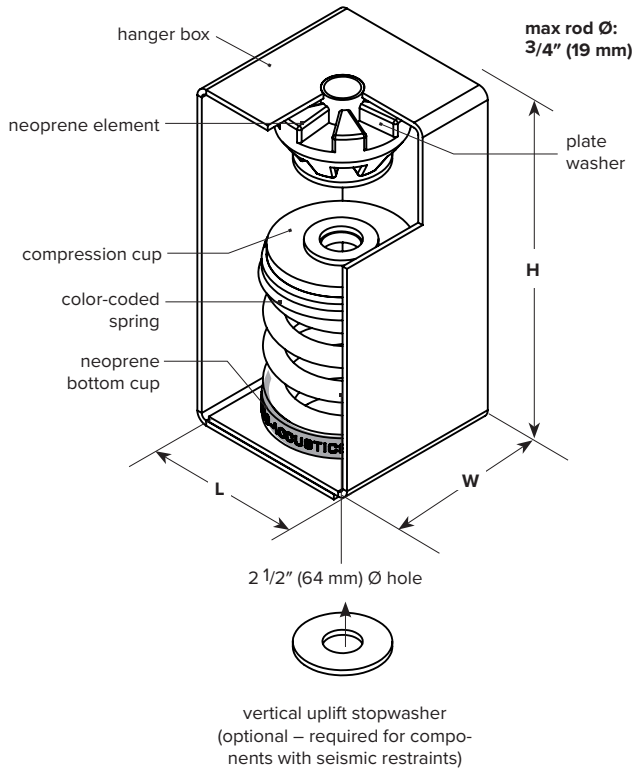
File No.: DS-SHRB2-008

Date: 05 May 2022

Supersedes: DS-SHRB2-007

Date: 07 Nov 2020

Model shown with cut-away



PERFORMANCE

Model	Spring Color	Element Color	Rated Load		Deflection at rated load		Isolator Weight †	
			lb	kN	in	mm	lb	kg
SHRB-2N-50	Red	Green	50	0.22	2.0	51	7.8	3.5
SHRB-2N-100	White	Green	100	0.44	2.0	51	7.9	3.6
SHRB-2N-200	Orange	Green	200	0.89	2.0	51	8.5	3.9
SHRB-2N-300	Green	Green	300	1.33	2.1	53	8.5	3.9
SHRB-2N-400	Grey	Red	400	1.78	2.0	51	8.7	4.0
SHRB-2N-500	Yellow	Black	500	2.22	2.1	53	8.9	4.0
SHRB-2N-600	Blue	Blue	600	2.67	2.0	51	9.4	4.3
SHRB-2N-800	Black	Blue	800	3.56	2.1	53	9.0	4.1
SHRB-2N-1000	Ivory	Yellow	1000	4.45	2.0	51	9.4	4.3

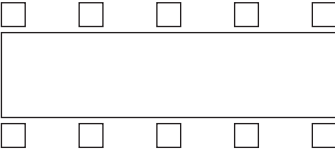
† weights are approximate

DIMENSIONS: SHRB-2N

Model	L	W	H			
SHRB-2N	in	mm	in	mm		
50-1000	5	127	4 ½	114	10 ½	257

NOTES

- Spring hanger with steel spring in a welded steel housing
- Spring sits in a molded neoprene cup which includes a sleeve through the bottom hole
- Hanger is designed to allow support rod misalignment through a 30-degree arc without contacting the hanger box
- Vertical uplift stopwasher must be added on spring hangers for seismically restrained equipment, duct or piping
- Minimum 50% additional travel to solid
- Springs are powder coated
- Compression cups are powder coated or zinc plated
- Housings are powder coated or galvanized
- All elements are safe at solid loading

Project:			Plan view of mount locations: 		1.	6.
Customer:					2.	7.
Consultant:					3.	8.
Dwg No.:	Rev:	Drawn by:			4.	9.
V-A Project Manager:			5.	10.	QTY of sets required:	
TAG:			EQUIPMENT:			
COMMENTS:					DATE:	