

tel: 416-291-7371 1-800-565-8401
fax: 416-291-8049 1-888-811-2264

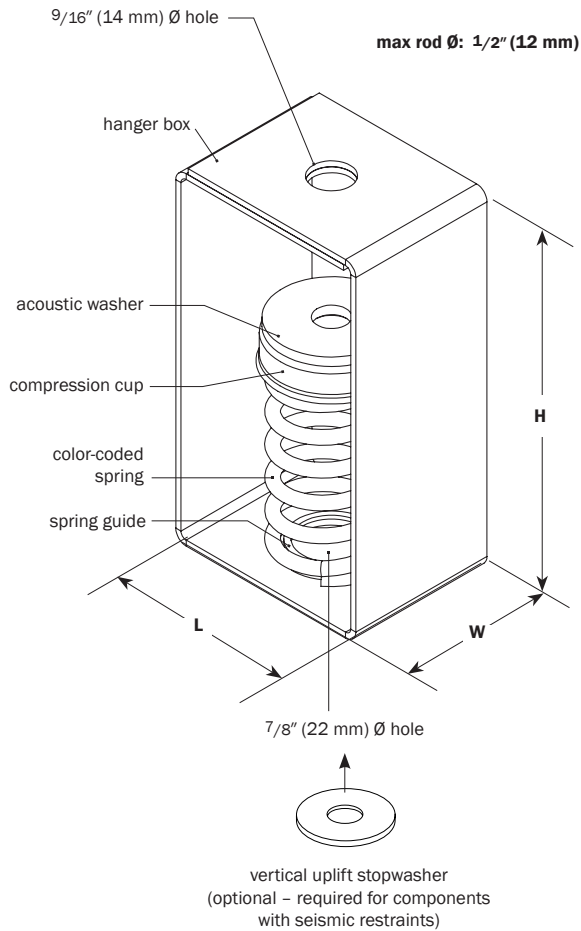
web: www.vibro-acoustics.com
eml: info@vibro-acoustics.com

File No.: DS-SHSN-007

Date: 28 Feb 2014

Supersedes: DS-SHSN-006

Date: 12 Jul 2012



PERFORMANCE

Model	Spring Color	Rated Load		Deflection at rated load		Isolator Weight †	
		lb	kN	in	mm	lb	kg
SH-SN-15	White	15	0.07	1.0	25	0.8	0.4
SH-SN-30	Yellow	30	0.13	1.0	25	0.8	0.4
SH-SN-45	Orange	45	0.20	1.0	25	0.8	0.4
SH-SN-60	Red	60	0.27	1.0	25	0.8	0.4
SH-SN-100	Blue	100	0.44	1.0	25	0.9	0.4
SH-SN-150	Black	150	0.67	1.0	25	0.9	0.4
SH-SN-200	Grey	200	0.90	1.0	25	1.0	0.5

for additional loads, see SH-1N † weights are approximate

DIMENSIONS

Model	L	W	H
SH-SN	in mm	in mm	in mm
15-200	2 3/4 70	2 51	5 127

NOTES

- Spring hanger with steel spring and welded steel housing
- Vertical uplift stopwasher must be added on spring hangers for seismically restrained equipment, duct or piping
- Minimum 50% additional travel to solid
- Springs are powder coated, housings and cups are galvanized

Project:			plan view of hanger locations		1:	6:
Customer:					2:	7:
Consultant:					3:	8:
Dwg No.:	Rev:	Drawn by:			4:	9:
V-A Project Manager:					5:	10:
TAG:			EQUIPMENT:			QTY of sets required:
COMMENTS:			DATE:			