

tel: 416-291-7371 1-800-565-8401 web: www.vibro-acoustics.com
fax: 416-291-8049 1-888-811-2264 eml: info@vibro-acoustics.com

**SIPS Seismic Inline
Pump Stands**

SIPS-250

U.S. Design Patent No. D,699,549 S

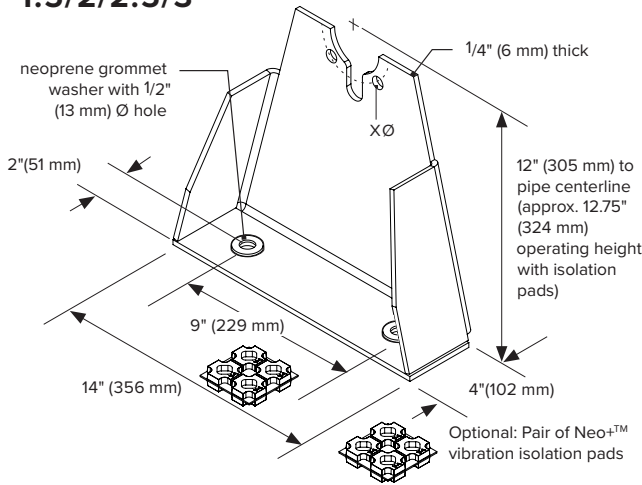
File No.: DS-SIPS-250-001

Date: 03 Sep 2020

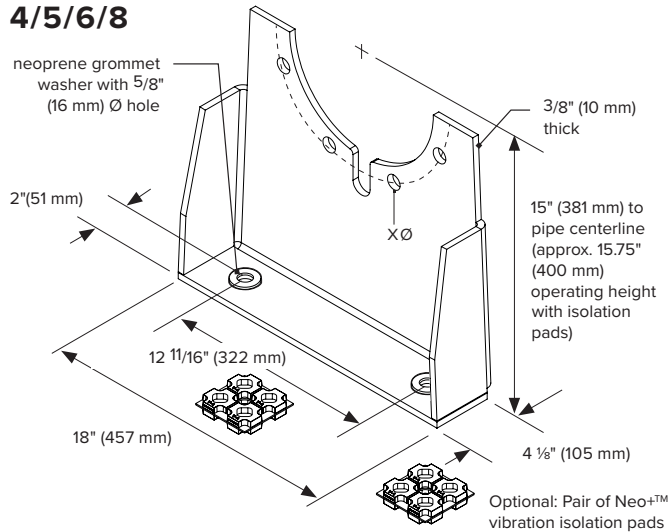
Supersedes: New

Date: New

**SIPS-250
1.5/2/2.5/3**



**SIPS-250
4/5/6/8**

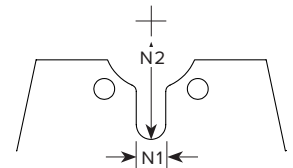


DIMENSIONS

Model	Nominal Pipe Size	Bolt Circle Dia (BCD)	Qty - Bolt Hole Diameter (X)	Stand Weight	Optional Neo+ pad Sizes
	in mm	in mm	in mm	lb kg	
SIPS-1.5-250	1 1/2 40	4 1/2 114	2 - 7/8 22	16.2 7.3	Black 4x4
SIPS-2-250	2 50	5 127	4 - 3/4 19	16.4 7.4	Black 4x4
SIPS-2.5-250	2 1/2 65	5 7/8 149	4 - 7/8 22	16.6 7.5	Black 4x4
SIPS-3-250	3 80	6 5/8 168	4 - 7/8 22	16.9 7.7	Black 4x4
SIPS-4-250	4 100	7 1/8 181	4 - 7/8 22	36.0 16.3	Black 4x4
SIPS-5-250	5 125	8 1/4 210	4 - 7/8 22	36.1 16.4	Black 4x4
SIPS-6-250	6 150	10 5/8 270	6 - 7/8 22	36.3 16.5	Black 4x4
SIPS-8-250	8 200	13 330	6 - 7/8 22	36.4 16.5	Black 4x4

NOTCH DIMENSIONS

Model	N1 Width	N2 Length
	in mm	in mm
SIPS-1.5-250	0.94 24	3.5 89
SIPS-2-250	0.5 13	3.5 90
SIPS-2.5-250	0.88 22	4.00 102
SIPS-3-250	1.06 27	4.75 121
SIPS-4-250	1.06 27	5.25 133
SIPS-5-250	1.19 30	6 152
SIPS-6-250	0.94 24	6.5 165
SIPS-8-250	0.94 24	7.75 197



PERFORMANCE

Model	Max Allowed Lateral Load without Neo+ Pads*	Max Allowed Lateral Load with Neo+ Pads*
	lb kg	lb kg
SIPS-1.5/2/2.5/3	900 408	700 318
SIPS-4/5/6/8	2600 1179	2000 907

* Max allowed load requires correct attachment to structure

NOTES

- Pump stands are designed for minimum 1g lateral seismic load for most matching inline pumps. An analysis must be performed to ensure adequacy for project-specific conditions
- Stands are fabricated with high strength low alloy steel
- Bolt holes located to match ANSI 250 cast iron flange dimensions (Class 250 and 300 use the same bolt pattern)
- Pump stands are painted for corrosion protection
- Cutouts are sized to accommodate standard class 300 slip-on flanges
- Pump stands must be installed in pairs on inline pumps. See installation instructions for further information
- If mounted on a housekeeping pad, the housekeeping pad must be seismically doweled to the structural slab

OPTION <input type="checkbox"/> VIBRATION ISOLATION PADS					
Project:		plan view of stand locations 		Model SIPS-	
Customer:					
Consultant:					
Dwg No.:	Rev:				Drawn by:
V-A Project Manager:					
TAG:		EQUIPMENT:		DATE:	
COMMENTS:					