

tel: 416-291-7371 1-800-565-8401 web: www.vibro-acoustics.com
 fax: 416-291-8049 1-888-811-2264 eml: info@vibro-acoustics.com

SIPS Seismic Inline Pump Stands

U.S. Design Patent No. D,699,549 S

SIPS

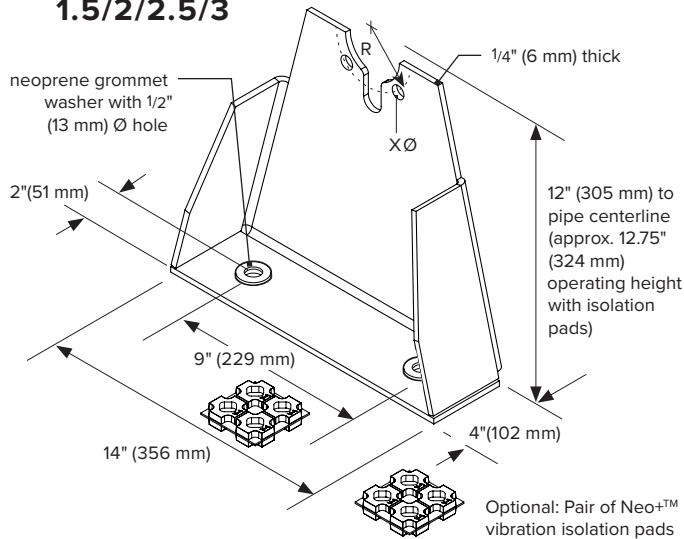
File No.: DS-SIPS-018

Date: 28 Apr 2020

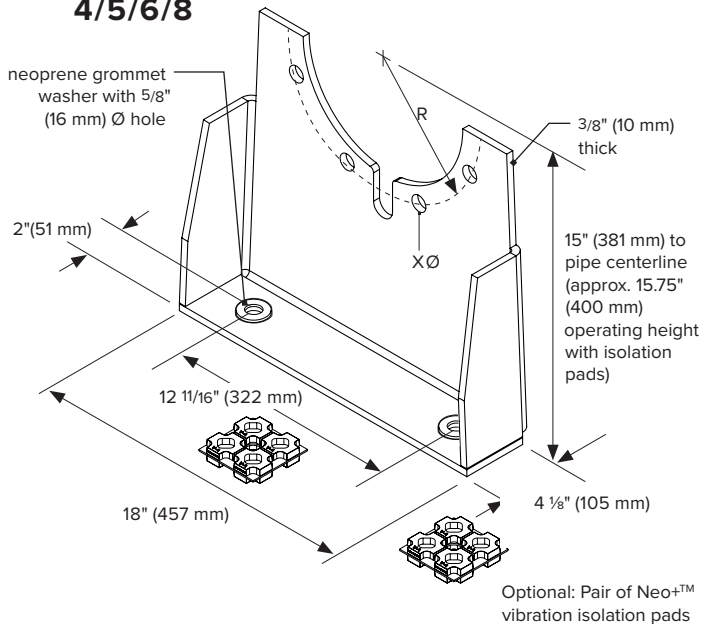
Supersedes: DS-SIPS-017

Date: 27 Oct 2016

SIPS-1.5/2/2.5/3



SIPS-4/5/6/8

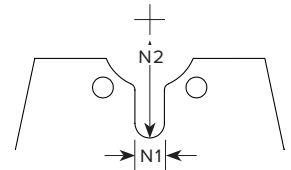


DIMENSIONS

Model	Nominal Pipe Size	R Radius of Bolt Hole Centers	X Bolt Hole Diameter	Stand Weight	Optional Neo+ pad Sizes
	in mm	in mm	in mm		
SIPS-1.5	1 1/2 40	1 15/16 49	5/8 16	16.2 7.3	Black 4x4
SIPS-2	2 50	2 3/8 60	3/4 19	16.4 7.4	Black 4x4
SIPS-2.5	2 1/2 65	2 3/4 70	3/4 19	16.6 7.5	Black 4x4
SIPS-3	3 80	3 76	3/4 19	16.9 7.7	Black 4x4
SIPS-4	4 100	3 3/4 95	3/4 19	36.0 16.3	Black 4x4
SIPS-5	5 125	4 1/4 108	7/8 22	36.1 16.4	Black 4x4
SIPS-6	6 150	4 3/4 121	7/8 22	36.3 16.5	Black 4x4
SIPS-8	8 200	5 7/8 149	7/8 22	36.4 16.5	Black 4x4

NOTCH DIMENSIONS

Model	N1 Width	N2 Length
	in mm	in mm
SIPS-1.5	0.94 24	2.94 75
SIPS-2	1.06 27	3.50 89
SIPS-2.5	1.06 27	4.00 102
SIPS-3	1.06 27	4.25 108
SIPS-4	1.06 27	5.00 127
SIPS-5	1.19 30	5.56 141
SIPS-6	1.19 30	6.06 154
SIPS-8	1.19 30	7.31 186



PERFORMANCE

Model	Max Allowed Lateral Load without Neo+ Pads*	Max Allowed Lateral Load with Neo+ Pads*
	lb kg	lb kg
SIPS-1.5/2/2.5/3	900 408	700 318
SIPS-4/5/6/8	2600 1179	2000 907

* Max allowed load requires correct attachment to structure

NOTES

- Pump stands are designed for minimum 1g lateral seismic load for most matching inline pumps. An analysis must be performed to ensure adequacy for project-specific conditions
- Stands are fabricated with high strength low alloy steel
- Bolt holes located to match ANSI 125 cast iron flange dimensions
- Pump stands are powder-coated enamel for corrosion protection
- Cutouts are sized to accommodate standard class 150 slip-on flanges
- Pump stands must be installed in pairs on inline pumps. See installation instructions for further information
- If mounted on a housekeeping pad, the housekeeping pad must be seismically doweled to the structural slab

OPTION <input type="checkbox"/> VIBRATION ISOLATION PADS					
Project:		plan view of stand locations 		Model SIPS-	
Customer:					
Consultant:					
Dwg No.:	Rev.:				Drawn by:
V-A Project Manager:					
TAG:		EQUIPMENT:		DATE:	
COMMENTS:					