

tel: 416-291-7371 1-800-565-8401
fax: 416-291-8049 1-888-811-2264

web: www.vibro-acoustics.com
eml: info@vibro-acoustics.com

**SPS Seismic Pipe Stand (Fixed Height)
and SPSA (Adjustable Height)**

**SPS-6
SPSA-6**

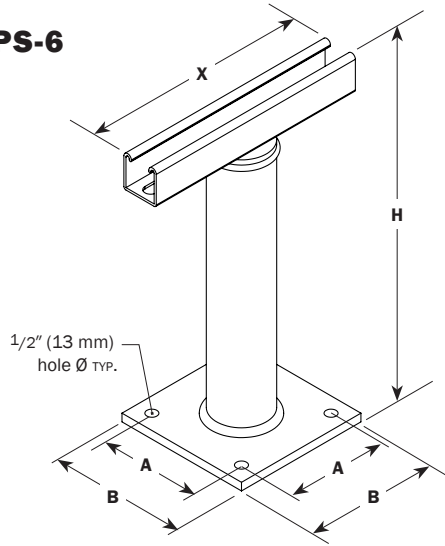
File No.: DS-SPS-003

Date: 11 Nov 2013

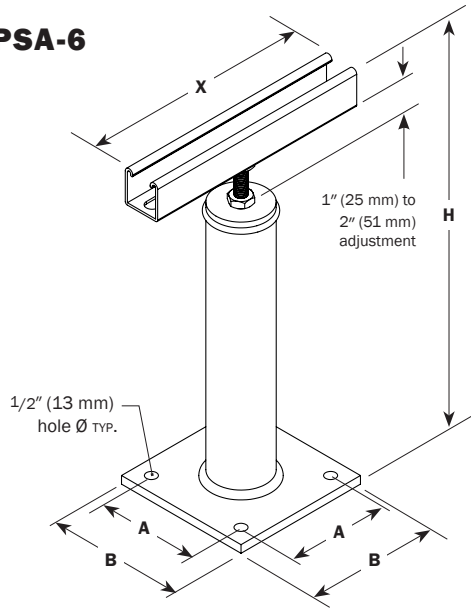
Supersedes: DS-SPS-002

Date: 4 Mar 2013

SPS-6

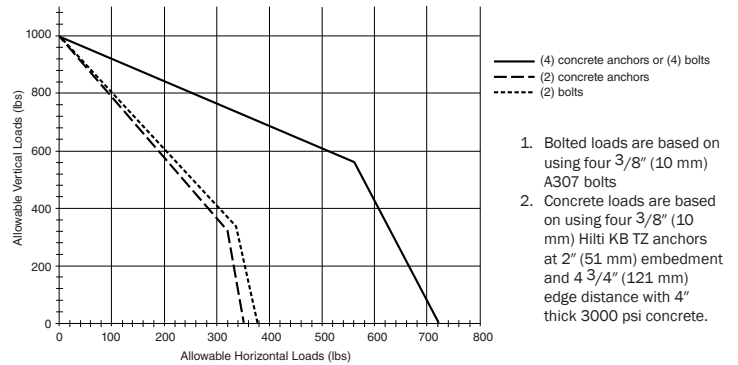


SPSA-6



SPS-6: DIMENSIONS AND WEIGHT

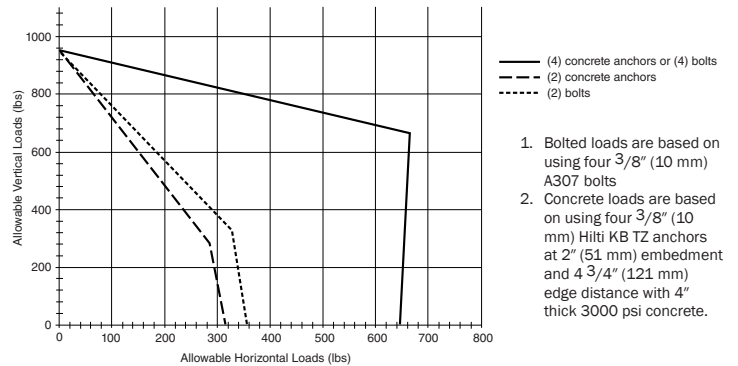
Nominal Pipe Size	X	A	B	H	Stand Weight
	in mm	in mm	in mm	in mm	
Up to 6"	10 254	4 1/2 114	6 152	13 7/8 342	10 4.5



SPSA-6: DIMENSIONS AND WEIGHT

Nominal Pipe Size	X	A	B	Min. H*	Max. H	Stand Weight
	in mm	in mm	in mm	in mm	in mm	
Up to 6"	10 254	4 1/2 114	6 152	13 7/8 342	15 7/8 403	11 5.0

*Min SPSA-6 height is based on having no nuts on the stand.



NOTES

- Pipe stands are fabricated with high-strength, low-alloy steel, and are hot dip galvanized for corrosion protection
- Pipe stands must be installed in accordance with installation instructions to provide the above performance
- Foam-filled tube for pipe stands is optional
- Engineering analysis must be performed to ensure adequacy for project-specific conditions
- Bolts are Grade 8 extreme strength steel
- Adjustable pipe stands provide a maximum of 2" (51 mm) height adjustment, and allowance for roof slopes and for changing pipe sizes

Project:	Comments:				
Customer:					
Consultant:					
Dwg No.:				Rev:	Drawn by:
V-A Project Manager:					
TAG:					
DATE:					