

tel: 416-291-7371 1-800-565-8401  
fax: 416-291-8049 1-888-811-2264

web: www.vibro-acoustics.com  
eml: info@vibro-acoustics.com

SRB Seismic Restraint Bracket

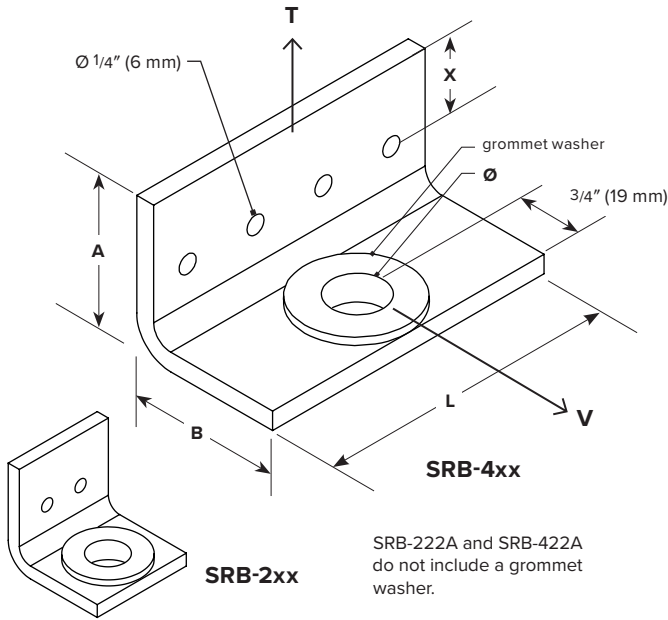
SRB

File No.: DS-SRB-008

Date: 29 Nov 2019

Supersedes: DS-SRB-007

Date: 6 July 2016



DIMENSIONS AND WEIGHT

Model	L		A		B		Ø*		X		Weight	
	in	mm	in	mm	in	mm	in	mm	in	mm	lbs	kg
SRB-222A	2	51	2	51	2	51	1/2	13	1	25	0.3	0.14
SRB-222B	2	51	2	51	2	51	3/8	10	1	25	0.5	0.23
SRB-222C	2	51	2	51	2	51	1/2	13	1	25	0.5	0.23
SRB-422A	4	102	2	51	2	51	1/2	13	1	25	0.6	0.27
SRB-422B	4	102	2	51	2	51	3/8	10	1	25	1.0	0.45
SRB-422C	4	102	2	51	2	51	1/2	13	1	25	1.0	0.45
SRB-423B	4	102	2	51	3	76	3/8	10	1	25	1.2	0.5
SRB-423C	4	102	2	51	3	76	1/2	13	1	25	1.2	0.5
SRB-434C	4	102	3	76	4	102	1/2	13	1 1/2	38	1.8	0.82

\* Hole diameter for A models is through metal bracket since no grommet washer is included.

PERFORMANCE

Model	Attach with Screws *				Attach with Welding			
	Allowable T		Allowable V		Allowable T		Allowable V	
	lb	kN	lb	kN	lb	kN	lb	kN
SRB-222A	282	1.25	265	1.18	282	1.25	529	2.35
SRB-222B	970	4.31	500	2.22	990	4.40	2488	11.07
SRB-222C	970	4.31	500	2.22	990	4.40	2488	11.07
SRB-422A	564	1.81	529	2.35	564	1.81	1411	6.28
SRB-422B	1940	8.63	1000	4.45	1980	8.81	2871	12.77
SRB-422C	1940	8.63	1000	4.45	1980	8.81	2871	12.77
SRB-423B	1940	8.63	1000	4.45	2912	12.95	2871	12.77
SRB-423C	1940	8.63	1000	4.45	2912	12.95	2871	12.77
SRB-434C	1940	8.63	1000	4.45	2045	9.10	1856	8.26

\* Allowable loads are maximums based on 1/4" (6 mm) HILTI self-drilling screws installed on minimum 16 ga base material for SRB-222A and SRB-422A and 10 ga for all other models.

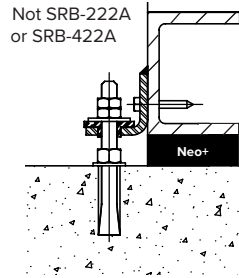
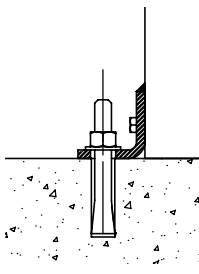
NOTES

- Allowable loads do not account for anchor bolt capacity. Contact Vibro-Acoustics for selection.
- Brackets must be installed in accordance with installation instructions to provide above performance.
- If mounted on a housekeeping pad, the pad must be seismically doweled to the structural slab and there must be sufficient edge distance and concrete thickness to properly install seismically-rated concrete anchors.
- SRB-222A and 422A brackets are galvanized; all other bracket sizes are powder-coated enamel or zinc plated for corrosion protection.
- Anchor bolts, self-drilling screws, and Neo + vibration isolation pads available separately from Vibro-Acoustics.
- Minimum diameter of round equipment support is 12" (305 mm) for using SRB-2xx brackets.

Rigid

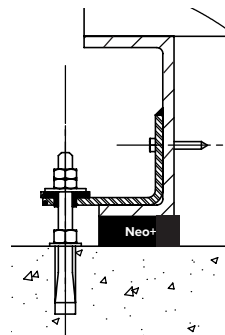
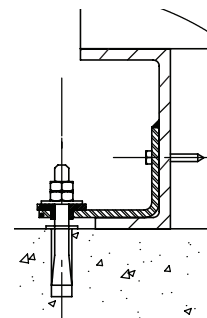
w/ Neo+ Pad

SRB-222  
SRB-422



SRB-423  
SRB-434

SRB-423 for toe-out channel base frames using standard structural C6 or smaller channel.



SRB-434 for larger sizes.

Project:			plan view of bracket locations		1:	6:
Customer:			□ □ □ □ □ □		2:	7:
Consultant:			□ □ □ □ □ □		3:	8:
Dwg No.:	Rev.:	Drawn by:	with SRB-4xx or SRB-2xx		4:	9:
V-A Project Manager:			OR		5:	10:
TAG:			with SRB-2xx only		QTY of sets required:	
DATE:			Unless otherwise specified, install brackets equally spaced along the long sides of the equipment.		Attachment Method:	
COMMENTS:			EQUIPMENT:			