

tel: 416-291-7371 1-800-565-8401
fax: 416-291-8049 1-888-811-2264

web: www.vibro-acoustics.com
eml: info@vibro-acoustics.com

Seismic Rubber Floor Mounts

SRD-1
SRD-2

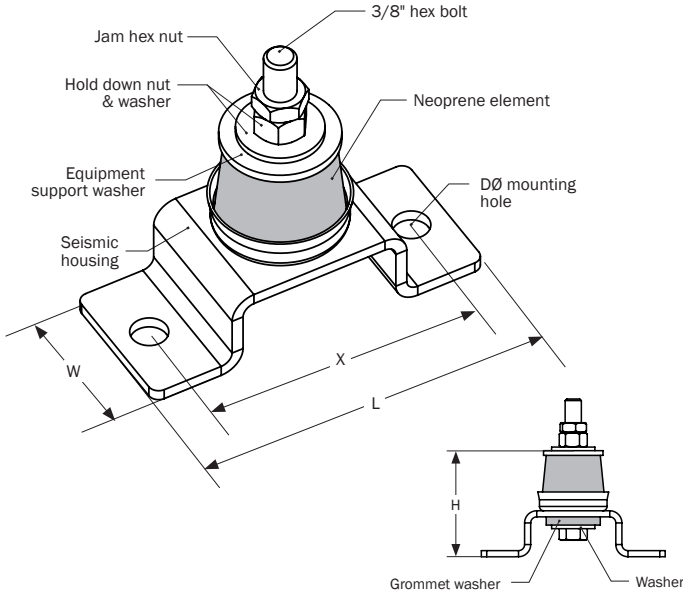
File No.: DS-SRD-004

Date: 11 July 2017

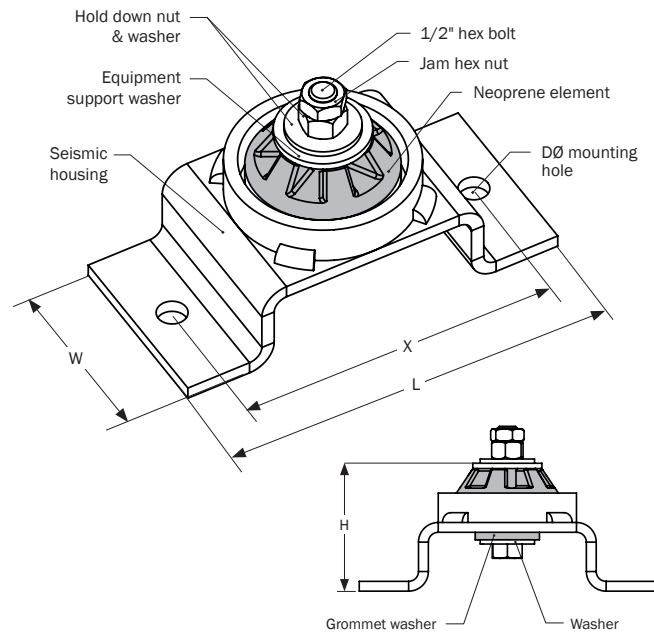
Supersedes: DS-SRD-003

Date: 15 Feb 2016

SRD-1



SRD-2



PERFORMANCE

Model	Element Color	Max Load		Deflection		Weight	
		lb	kN	in	mm	lb	kg
SRD-1 Orange	Orange	30	0.13	0.35	9	0.65	0.3
SRD-1 Blue	Blue	60	0.27	0.35	9	0.65	0.3
SRD-1 Green	Green	100	0.44	0.35	9	0.65	0.3
SRD-1 Red	Red	150	0.67	0.35	9	0.65	0.3
SRD-1 Black	Black	200	0.89	0.35	9	0.65	0.3
SRD-2 Green	Green	300	1.33	0.50	13	3.75	1.7
SRD-2 Red	Red	400	1.78	0.50	13	3.75	1.7
SRD-2 Black	Black	500	2.22	0.40	10	3.75	1.7
SRD-2 Blue	Blue	700	3.11	0.35	9	3.75	1.7
SRD-2 Yellow	Yellow	1000	4.45	0.35	9	3.75	1.7

† weights are approximate

DIMENSIONS

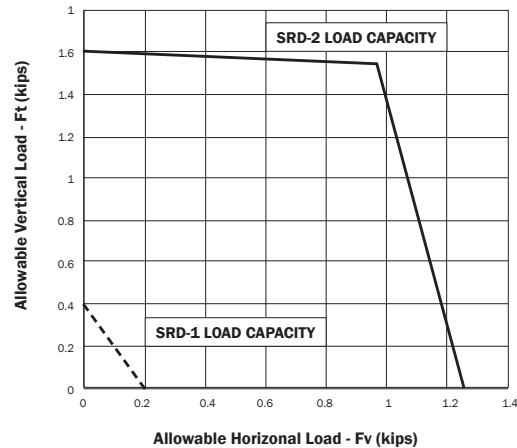
Type	L		W		H*		X		DØ	
	in	mm	in	mm	in	mm	in	mm	in	mm
SRD-1	4 1/4	108	1 3/4	44	2 7/16	62	3 3/8	86	7/16	11
SRD-2	7 1/2	191	3 1/2	89	3 1/4	83	6 1/8	156	9/16	14

* Free (unloaded) height

NOTES

- Seismically restrained, laterally stable rubber floor mount
- Housing is galvanized; hardware is zinc plated
- "Double deflection" neoprene type, with top and bottom washers, and support for bolting equipment
- Seismic capacities in chart below are based on bolted or welded connections to steel

SRD ISOLATOR OVERALL LOAD RESISTANCE CAPACITY



Project:			plan view of hanger locations 				1:		6:	
Customer:							2:		7:	
Consultant:							3:		8:	
Dwg No.:							4:		9:	
Rev:			5:		10:		QTY of sets required:			
Drawn by:			EQUIPMENT:							
V-A Project Manager:			DATE:							
TAG:										
COMMENTS:										