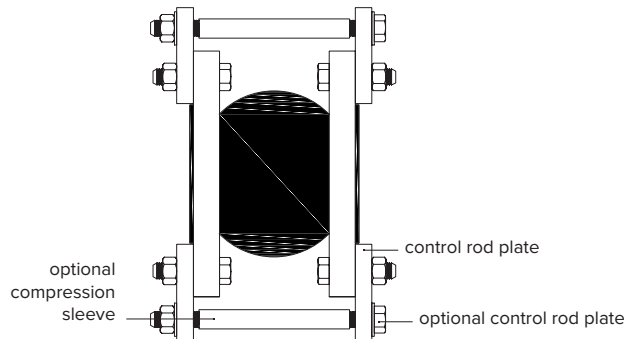
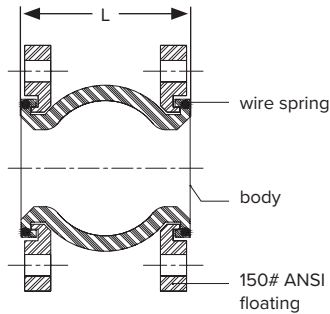


tel: 416-291-7371 1-800-565-8401
fax: 416-291-8049 1-888-811-2264

web: www.vibro-acoustics.com
eml: info@vibro-acoustics.com

File No.: EJEEJN-1-002
Supersedes: EJEEJN-1-001

Date: 12 Jan 2021
Date: 30 Oct 2014



PERFORMANCE AND DIMENSIONS

Model	Body Constr.	Nominal Size in/mm	"L" Length Face to Face in/mm	Deflections				Working Pressure		Max. Temp. °F
				Lateral in	Axial Ext. in	Axial Comp. in	Angular deg	w/o control rod psi	w/ control rod * psi	
EJE1-1.50	EPDM	1.5 40	6 152	±1/2	3/8	1/2	27	179	225	250
EJE1-2	EPDM	2 50	6 152	±1/2	3/8	1/2	20	179	225	250
EJE1-2.50	EPDM	2.5 65	6 152	±1/2	3/8	1/2	17	179	225	250
EJE1-3	EPDM	3 80	6 152	±1/2	3/8	1/2	14	179	225	250
EJE1-4	EPDM	4 100	6 152	±1/2	1/2	3/4	14	179	225	250
EJE1-5	EPDM	5 125	6 152	±1/2	1/2	3/4	11	134	225	250
EJE1-6	EPDM	6 150	6 152	±1/2	1/2	3/4	9	134	225	250
EJE1-8	EPDM	8 200	6 152	±1/2	1/2	3/4	7	134	225	250
EJE1-10	EPDM	10 250	8 203	±3/4	3/4	1	7	134	225	250
EJE1-12	EPDM	12 300	8 203	±3/4	3/4	1	6	89	225	250
EJE1-14	EPDM	14 350	8 203	±3/4	3/4	1	5	89	150	250
EJE1-16	EPDM	16 400	8 203	±3/4	3/4	1	4	44	125	250
EJE1-18	EPDM	18 450	8 203	±3/4	3/4	1	4	44	125	250
EJE1-20	EPDM	20 500	8 203	±3/4	3/4	1	3	44	125	250
EJE1-24	EPDM	24 600	10 254	±3/4	3/4	1	3	44	110	250
EJN1-1.50	Neoprene	1.5 40	6 152	±1/2	3/8	1/2	27	179	225	230
EJN1-2	Neoprene	2 50	6 152	±1/2	3/8	1/2	20	179	225	230
EJN1-2.50	Neoprene	2.5 65	6 152	±1/2	3/8	1/2	17	179	225	230
EJN1-3	Neoprene	3 80	6 152	±1/2	3/8	1/2	14	179	225	230
EJN1-4	Neoprene	4 100	6 152	±1/2	1/2	3/4	14	179	225	230
EJN1-5	Neoprene	5 125	6 152	±1/2	1/2	3/4	11	134	225	230
EJN1-6	Neoprene	6 150	6 152	±1/2	1/2	3/4	9	134	225	230
EJN1-8	Neoprene	8 200	6 152	±1/2	1/2	3/4	7	134	225	230
EJN1-10	Neoprene	10 250	8 203	±3/4	3/4	1	7	134	225	230
EJN1-12	Neoprene	12 300	8 203	±3/4	3/4	1	6	89	225	230
EJN1-14	Neoprene	14 350	8 203	±3/4	3/4	1	5	89	150	230
EJN1-16	Neoprene	16 400	8 203	±3/4	3/4	1	4	44	125	230
EJN1-18	Neoprene	18 450	8 203	±3/4	3/4	1	4	44	125	230
EJN1-20	Neoprene	20 500	8 203	±3/4	3/4	1	3	44	125	230
EJN1-24	Neoprene	24 600	10 254	±3/4	3/4	1	3	44	110	230

NOTES

- Maximum negative pressure is 26" HG vacuum
 - Temperature range: 20°F – 300°F
 - Listed movements cannot occur simultaneously
 - 3:1 safety factor (burst to operating pressure)
 - Contact factory for stainless steel 150# and carbon steel 300# flanges
 - Contact factory for other elastomer requirements for the molded body construction
 - Metal reinforcement can be provided to accommodate extreme piping system stress
 - Standard and custom sized nominal diameter, overall lengths including reducer expansion joints are available
- * Control rods are used for achieving these pressure ratings. Control rods are also required for unanchored systems. Suffix "-CR" is added to the model names for control rod, i.e: EJN1-12-CR

Project:	Model:	QTY of sets required:	
Customer:	DWN:	CHK:	REV:
Consultant:	TAG:	UNIT:	
V-A Project No.:	COMMENTS:		
V-A Project Manager:			