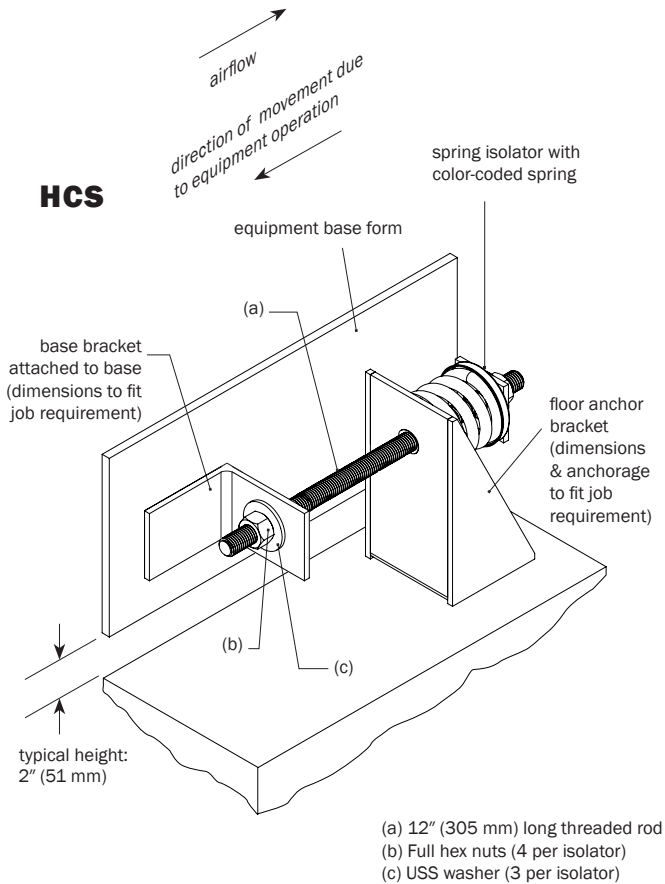


tel: 416-291-7371 1-800-565-8401
fax: 416-291-8049 1-888-811-2264

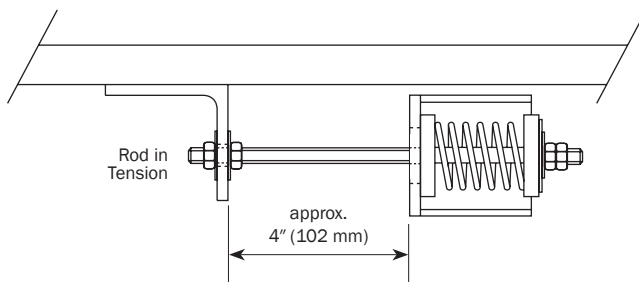
web: www.vibro-acoustics.com
eml: info@vibro-acoustics.com

File No.: INS-HCS-001
Supersedes: New

Date: 25 Nov 2010
Date: New



PLAN VIEW DETAIL



INSTRUCTIONS

1. Install pair of thrust restraints only after base and equipment have been adjusted on isolators to proper operating height.
2. Install floor bracket, spring assembly and threaded rod according to the submittal drawing which shows dimensions, equipment tagging and spring color code.
3. After parts are assembled, align threaded rod through the oversized hole so that it does not touch anchor bracket. Put some tension on the threaded rod by turning an adjustment nut so that the rod is not hanging loose.