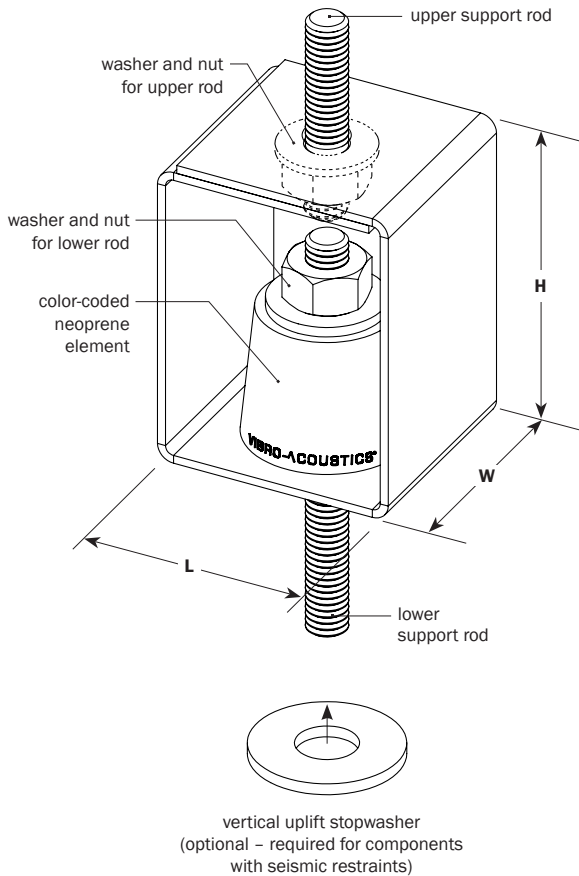


## INSTRUCTIONS



### Option A

1. Hang all piping, ductwork, and equipment and bring to operating weight. Ensure sufficient space is left for hanger isolators to be installed.
2. Properly locate each hanger in the submittal drawing using hanger model and element color as identification.
3. Provide temporary support as required to allow support rods to be cut.
4. Cut support rods, removing about 1" of rod, and install hangers, aligning rods in the center of each hole. Add stopwasher, washers and nuts as appropriate. See fig. 1 & 2 for installation requirements for isolated components with seismic restraints.
5. Turn the upper or lower rod nut until temporary supports can be easily removed. Do not overload hangers, however. Temporary supports may need to be left in place until further isolators are installed.
6. When adjusting isolators equipment or a pipe or duct run, be sure to load the hangers proportionally – an example of an adjustment sequence is shown below.
7. After adjustment is complete, be sure the support rod is not touching the side of the lower hole, and if included, the vertical uplift stopwasher clearance is approximately 1/4" (fig. 2).

### Option B

1. Properly locate each hanger in the submittal drawing using hanger model and element color as identification.
2. Attach hanger to upper threaded rod attached to structure. See fig. 1 for installation requirements for isolated components with seismic restraints.
3. Align support rod in center of the lower hole. Add stopwashers, washers and nuts as appropriate.
4. Attach duct, pipe or equipment to lower threaded rod. Be careful not to overload any one hanger – load hangers proportionally.
5. Adjust duct, pipe or equipment level with the upper or lower rod nut.
6. Bring equipment or pipe to its final operating weight before making any further adjustments.
7. When adjusting isolators on equipment or a pipe or duct run, be sure to load the hangers proportionally – an example of an adjustment sequence is shown below.
8. After adjustment is complete, be sure the support rod is not touching the side of the lower hole, and if included, the vertical uplift stopwasher clearance is approximately 1/4" (fig. 2).

### For Seismic Restraints Application Only

fig. 1

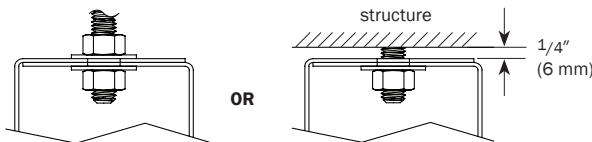
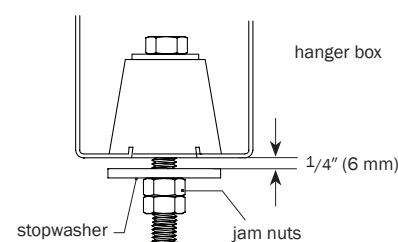
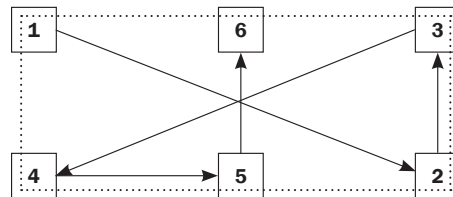


fig. 2



### Isolator adjustment sequence example



Isolator adjustment sequence is similar for other quantities and configurations.