

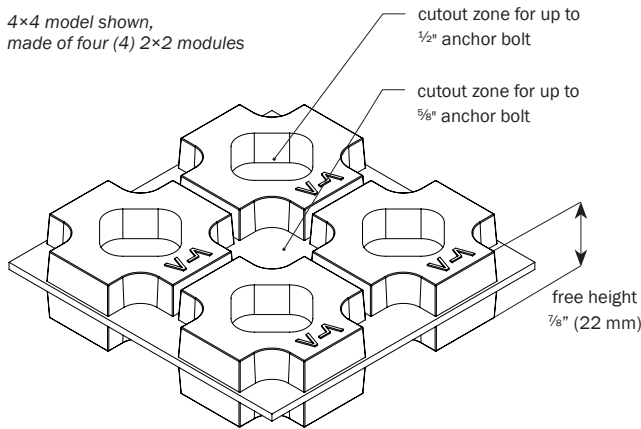
tel: 416-291-7371 1-800-565-8401
fax: 416-291-8049 1-888-811-2264

web: www.vibro-acoustics.com
eml: info@vibro-acoustics.com

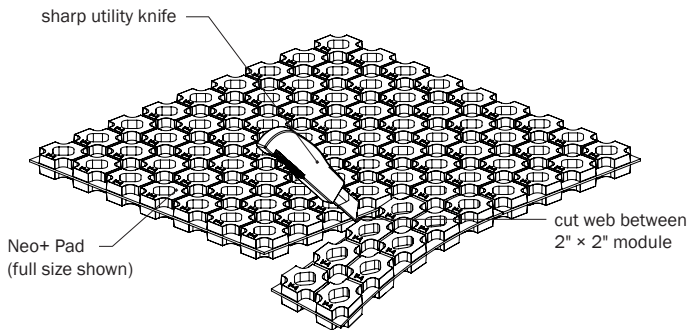
File No.: INS-NP-001
Supersedes: New

Date: 06 July 2016
Date: New

4x4 model shown,
made of four (4) 2x2 modules



SITE CUTTING DETAILS

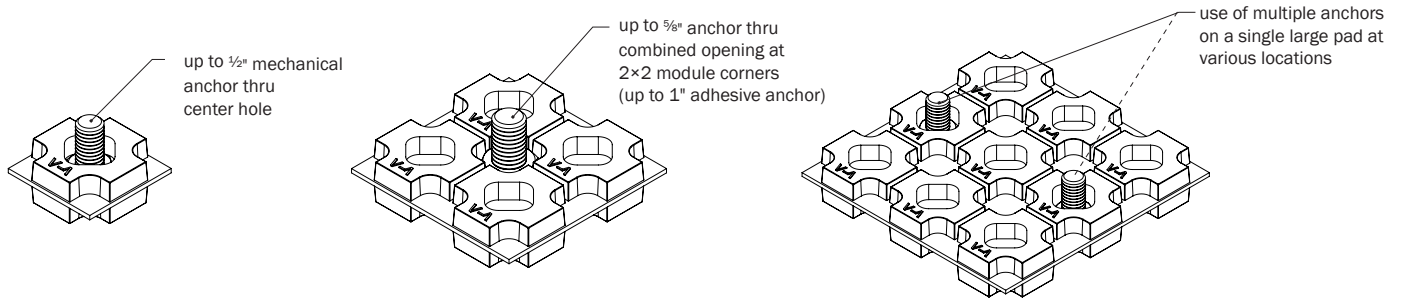


INSTRUCTIONS

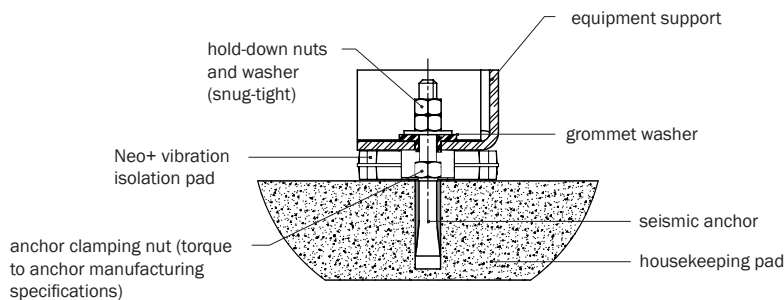
1. Vibro-Acoustics® supplies Neo+ pads cut to size for standard dimensions shown on the datasheet. If pads are going to be cut from a full sheet (18"x18") by the installer, use a sharp utility knife to slice through the web of the full sheet as required per site cutting details shown here. Knife will be guided by the grooves between 2"x2" modules.
2. Properly locate each pad from the submittal drawing using isolator model and size as identification. Neo+ Black pads do not have any color coding. They are softer than Neo+ Green which is color coded with a green stripe on top face of the pad. Make preparations as appropriate to attach pads to structure if needed. (e.g., drill holes and install anchor bolts).
3. Make preparations as appropriate to attach pads to structure if needed. (e.g., drill holes and install anchor bolts).
4. If equipment is being attached to structure with SRB seismic angle brackets, see SRB installation instructions for further details.
5. If equipment is being attached to structure with SIPS seismic inline pump stands, see SIPS installation instructions for further details.
6. If equipment is being attached to structure through Neo+ pad, use one of the designated cutout zones for anchorage on the pad. Smaller designated cutout zone can accommodate hardware for up to 1/2" anchor bolts while the larger designated cutout zone is designed to fit hardware for anchor sizes up to 5/8" when anchor is installed with a clamping nut.
7. If adhesive anchors are used without the use of clamping nuts, small cutout zones can accommodate 3/4" anchors while the larger cutout cones can accommodate 1" anchors.

ANCHOR DETAILS

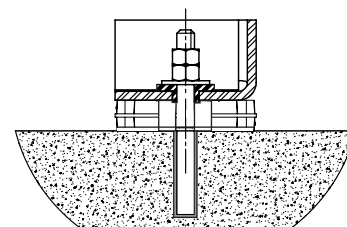
use of cutout zones for anchorage



concrete anchor installation through Neo+ Pad



anchorage through Neo+ Pad
with mechanical anchors



anchorage through Neo+ Pad
with adhesive anchors
(anchor clamping nut not required)