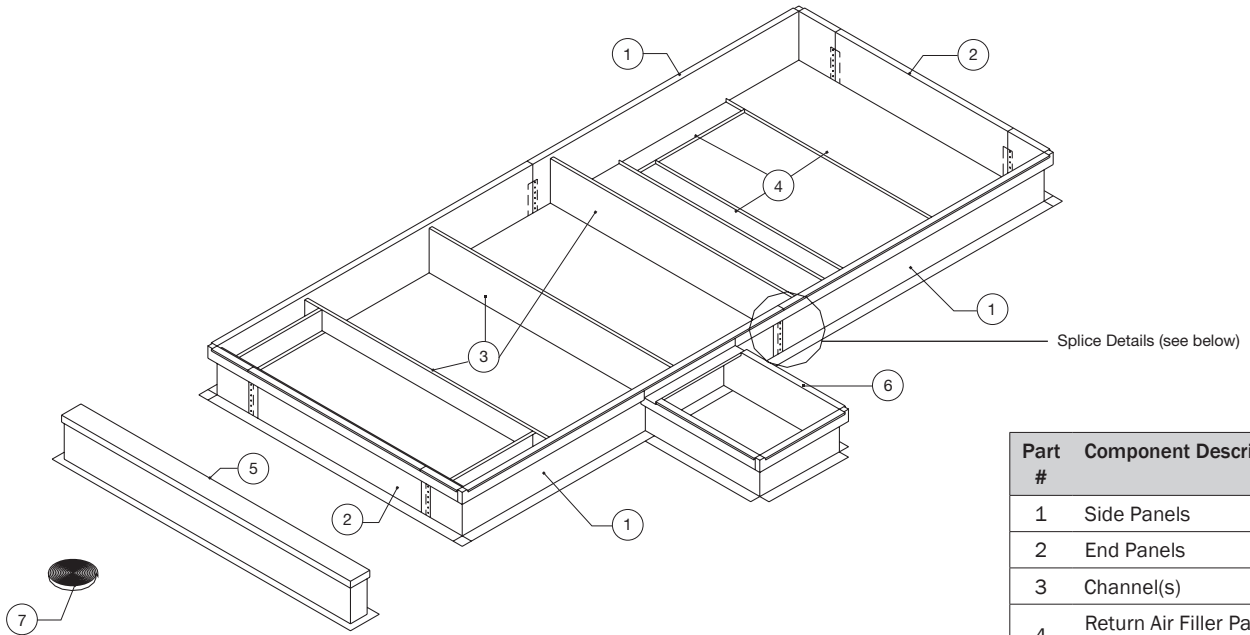
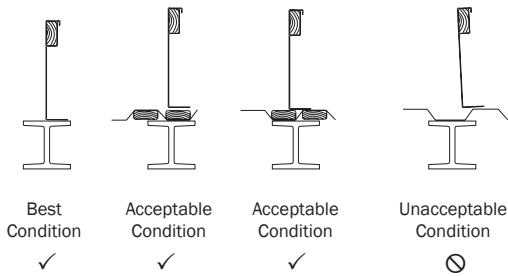


Figure 1

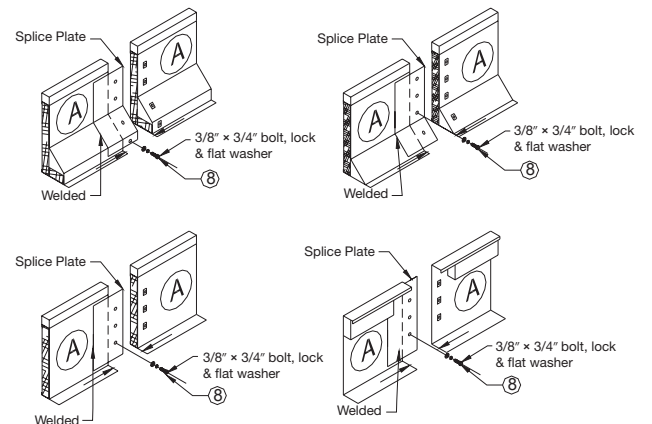


Part #	Component Description
1	Side Panels
2	End Panels
3	Channel(s)
4	Return Air Filler Panels (if Furnished)
5	Tems Rails (if Furnished)
6	Pipe Chase (if Furnished)
7	Gasketing
8	Fasteners

Detail A



Splice Details



Note: These instructions are meant as a general guide only. Some variations may occur, refer to as built drawings before proceeding.

These roof curb assembly instructions are to be used as general guidelines only. Included with shipment are as built drawings for proper location of sections and channels. Use as built drawings to identify and locate match-marked sections (1&1, A&A, etc.) If curbs will not be installed and roofed-in upon receipt, it is recommended that curbs should be stored level and adequately supported to avoid damage and, a clean, dry location to avoid possible corrosion problems associated with extended contact with the ground.

If the roof curb will be mounted on a new building, it can be assembled at any convenient location and installed as soon as the roof support members are in place. As a general rule, the curb should be placed directly on the roof support members, use tack welding (or other equivalent fastening method) to secure the curb in place.

As an alternative, the roof curb can also be mounted on a roof deck. When a deck is used, be sure to provide additional blocking directly below the curb flanges to give further support and minimize vibration. (See below)

When curb installation is on an existing building, hoist the curb shipping carton(s) directly to the roof. Curb assembly is more conveniently completed at this location.

INSTRUCTIONS

Assembling Roof Curb

1. Select an area conveniently located near the unit installation site, and open the curb shipping carton(s). Verify that all materials, nuts, bolts and gasketing, were received.
2. Assemble curb components 1 & 2 to form the 4-sided roof curb. Bolts required for curb assembly are shipped loose in the hardware carton, or are already bolted into the curb. **Note: Do not tighten any of the bolts used to assemble the curb until after the curb is installed, leveled and squared.**
3. Install curb channel(s) (item 3) to inside of roof curb by bolting channel-to-channel angle welded in place on curb wall.
4. **Optional Plenum Assembly:** Install the return air floor panels, if shown on as built drawings, (item 4) at the bottom of the curb. Lay the floor panels flat, standing seam up, on the existing roof decking. Floor panels must be supported. Caulk all seams and fasten with self-drilling sheet metal screws.
5. **Optional Pipe Chase:** Install pipe chase, if shown on as built drawings, (item 6). Locate pipe chase as per as built curb drawing supplied with shipment. Screw to curb side wall through flange. Install gutter in notch between pipe chase and curb side wall. Caulk all seems as required.
6. Apply adhesive backed gasketing provided with curb to the entire perimeter of the top of roof curb and all supply & return channels.
7. **Optional Tens Rail:** Locate Tens Rail as per curb drawing supplied with shipment.

Recommended installation includes fastening base flange to roof steel or deck with stitch weld or mechanical fastener not exceeding 18" O.C. as per NRCA specifications.