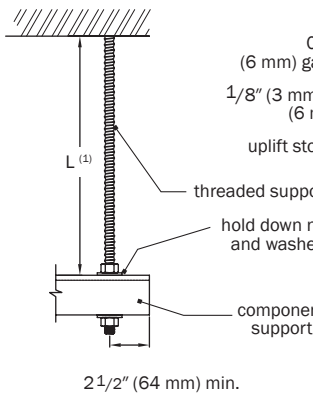
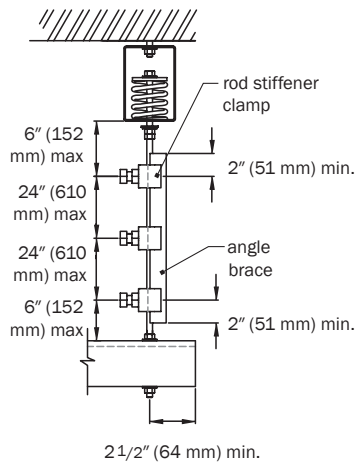
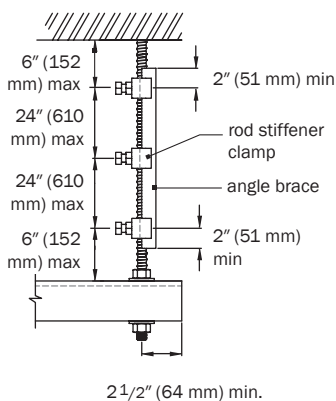
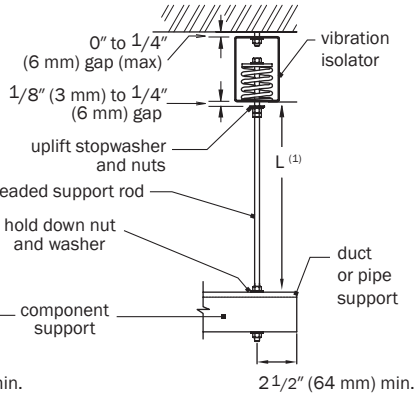


Rigid



With Isolator



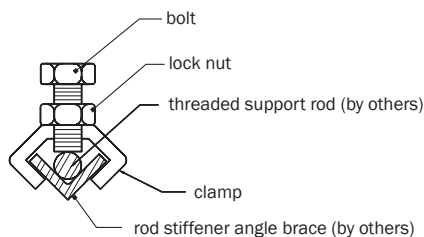
INSTRUCTIONS

1. Find the support rod at or closest to a cable restraint or rigid restraint attachment point and measure the unbraced rod length "L" as shown in the diagram on the left. (**Note:** rigid restraints cannot be used when vibration isolation is required)
2. If "L" exceeds the values shown below for its corresponding diameter or the uplift force exceeds the maximum uplift force allowed then rod stiffeners may be required. Contact Vibro-Acoustics for further analysis. If stiffeners are required, then install as follows.
3. Ensure support rod is secured to suspended component with a hold down nut and washer to prevent the component from moving up the rod.
4. Note the size of the rod stiffener clamp as indicated in the submittal package for that restraint location. Use the appropriate rod stiffener angle brace as shown in the table below.
5. Cut the angle brace to length, no more than 8" shorter than the "L" dimensions.
6. Position the angle brace against the rod and slide the correct number of clamps onto the brace and rod as shown on the left.
7. Move the lock nut away from the back of the clamp to allow the bolt to be turned. Tighten the bolt to push against the support rod until reaching the torque value shown below, then tighten the lock nut against the back of the clamp as shown in the detail below. Repeat for each stiffener clamp.
8. Double check the dimensions and adjust as necessary.

Rod Size Ø		L ⁽¹⁾		Max. Uplift Force	
in	mm	in	mm	lb	kN
3/8	10	19	482	171	0.76
1/2	12	25	635	312	1.39
5/8	16	31	787	495	2.20
3/4	20	37	940	721	3.21
7/8	22	43	1092	988	4.40
1	24	50	1270	1248	5.55
1 1/8	30	56	1422	1593	7.09
1 1/4	36	62	1575	1981	8.81

(1) L = Maximum allowable threaded rod length without stiffener

Rod Stiffener Detail



Model	Torque		Brace Size	Max Rod Size	Weight		
	ft.lb	Nm			in	mm	lb
VAC-1	25	34	1" x 1" x 1/4" angle (25 mm x 25 mm x 6 mm)	5/8	16	0.40	0.18
VAC-2	30	41	1 1/2" x 1 1/2" x 1/4" angle (38 mm x 38 mm x 6 mm)	1	25	0.85	0.39

NOTES

- Minimum (2) Rod Stiffener Clamps per rod
- Rod stiffener requirements apply only to threaded rods that have seismic restraint attachment, or are located adjacent to restraint locations.