

tel: 416-291-7371 1-800-565-8401
fax: 416-291-8049 1-888-811-2264

web: www.vibro-acoustics.com
eml: info@vibro-acoustics.com

File No.: INS-SFS-009

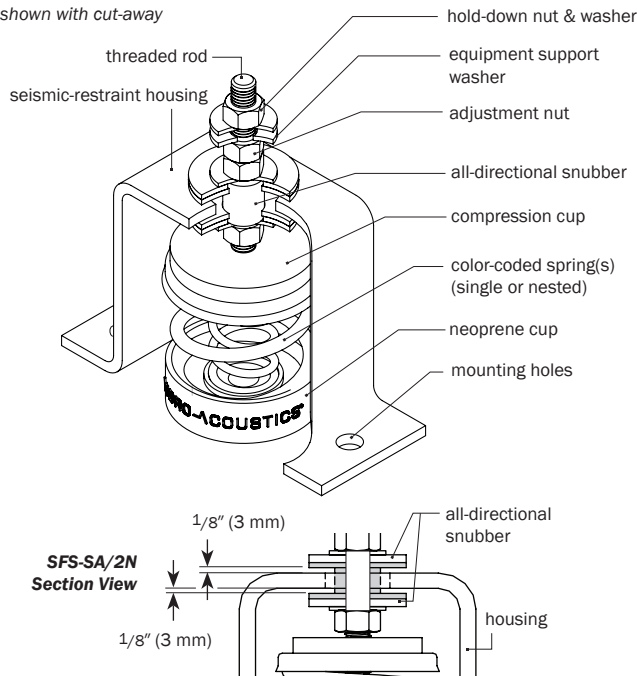
Date: 22 Oct 2013

Supersedes: INS-SFS-008

Date: 26 Aug 2013

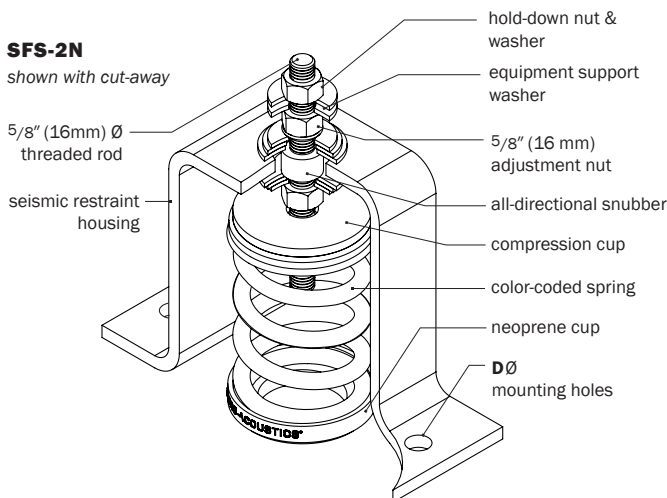
SFS-SA

shown with cut-away



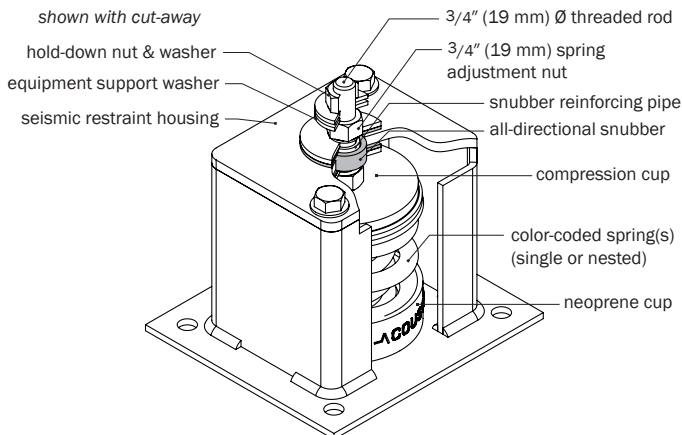
SFS-2N

shown with cut-away



SFS-1A/2A

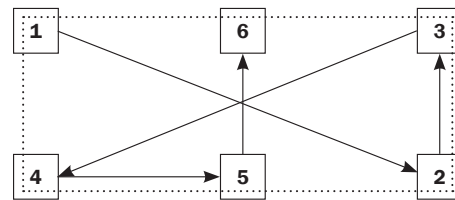
shown with cut-away



INSTRUCTIONS

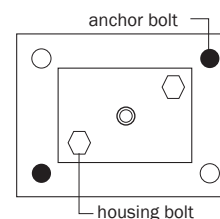
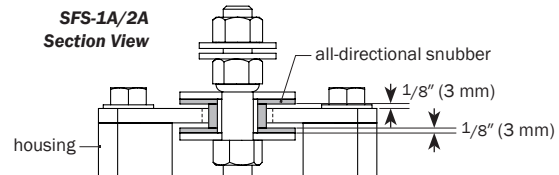
1. Remove the hold-down nut and washer from the isolators.
2. Properly locate each isolator from the submittal drawing using isolator model and spring color(s) as identification. If isolators are to be attached to the supporting structure, locate locations and make preparations as appropriate (e.g., drill holes and install anchor bolts).
3. Assemble isolators as shown without upper hold-down nut and washer. Place under equipment, passing threaded stud through equipment mounting hole.
4. Mark anchor bolt hole locations. If mounting in concrete ensure adequate edge distance is maintained from edges of housekeeping pad. Refer to manufacturer's instructions or Vibro-Acoustics' calculations for minimum edge distance requirements.
5. Remove isolator and drill holes for anchors. Replace isolators and install anchors, tightening to recommended torque values.
6. Equipment must be at operating weight before final adjustment can begin.
7. Turn adjustment nut counter-clockwise 4 complete turns on each isolator as shown in the sequence below. Repeat this pattern until the equipment just lifts off all isolators about 1/8" such that the snubbers are not in contact with the housings.
8. Ensure to keep approximately 1/8" clearance from the top and bottom of the housing.
9. Check lower snubber nut and adjust as needed to keep approximately 1/8" clearance from housing.
10. Secure the equipment to the isolator using the upper hold-down nut & washer.

Isolator adjustment sequence example



Isolator adjustment sequence is similar for other quantities and configurations.

SFS-1A/2A Section View



For smaller loads, when only two anchors are specified, follow the pattern shown on the left image (install the two anchors diagonally in line with the housing bolts).