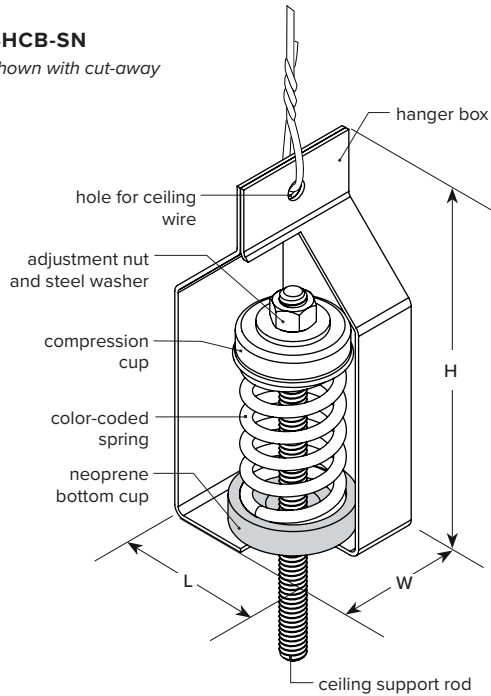


tel: 416-291-7371 1-800-565-8401 web: www.vibro-acoustics.com
fax: 416-291-8049 1-888-811-2264 eml: info@vibro-acoustics.com

File No.: INS-SHCB-002 Date: 31 Jan 2020
Supersedes: INS-SHCB-001 Date: 22 Sep 2010

SHCB-SN

shown with cut-away



INSTRUCTIONS

1. Properly locate each hanger in the submittal drawing using hanger model and spring color as identification.
2. Attach ceiling wire to hanger box through top hole.
3. For type SHCB-SN, align support rod in center of the lower hole and attach to compression cup. Attach ceiling support frame to lower threaded rod (SHCB-SN) or eye bolt (SHCHB-SN).
4. Adjust ceiling support frame level with the adjustment nut as needed.
5. Be careful not to overload any one hanger – load hangers proportionally.
6. After adjustment is complete, ensure the rod is not touching the bottom cup at the lower hole.
7. Finish installation of ceiling (e.g., add layers of gypsum wallboard)

SHCB-SN

shown with cut-away

