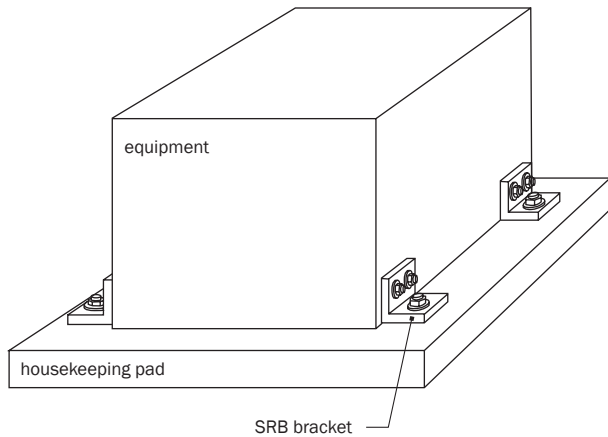


INSTRUCTIONS



1. If mounting SRB brackets to a housekeeping pad, ensure pad is thick enough and large enough to accommodate anchor bolts and sufficiently doweled in or connected to structural slab to transfer seismic loads to the structure.
2. Mount equipment in its final position, including neoprene pads if provided. Ensure adequate space is allowed where anchors will be installed to maintain edge distance required by anchor bolt manufacturer.
3. Confirm bracket attachment locations on equipment will accommodate attachment method (screws or welding) indicated on Vibro-Acoustics' submittal.
4. Mark locations for brackets as indicated in the submittal package and drill holes as necessary.
5. For installation without neoprene pads (rigid installation) secure bracket to floor using the anchor size indicated in the submittal, and then attach to equipment as shown below. For SRB-xxxB and -xxxC brackets, ensure grommet washer stays in place.
6. For installation with neoprene pads, install the anchor bolt first, and then place the bracket over the bolt, making sure the grommet washer stays in place. Mount the bracket to the equipment and install locking jam nuts and a USS flat washer on the anchor bolt as shown below. Ensure the bracket does not touch the clamping nut and that the locking jam nuts are secure.
7. For installation with and without neoprene pads: Use the appropriate number of 1/4" (6 mm) diameter self-drilling screws – one for each hole in the bracket – or welds as shown in the diagram below and the submittal.
 - a. Ensure self-drilling screws are long enough for threads to pass through both material layers.
 - b. Welding may be substituted for screws, but screws may not be used in place of welding without approval from Vibro-Acoustics.

