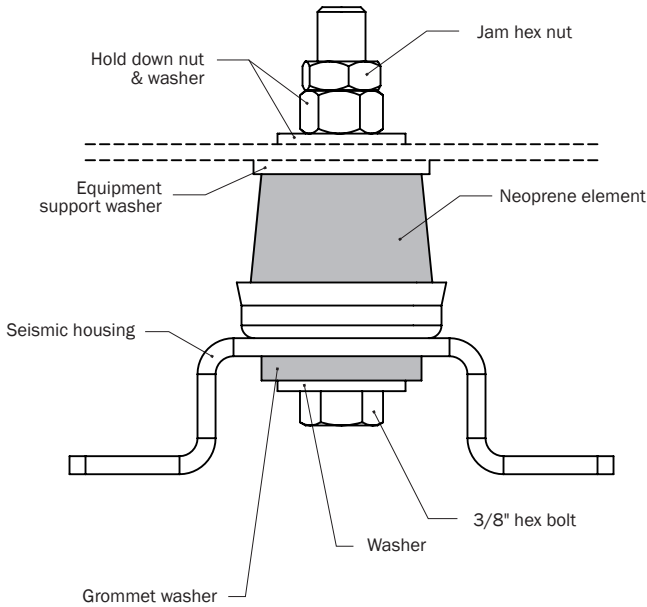
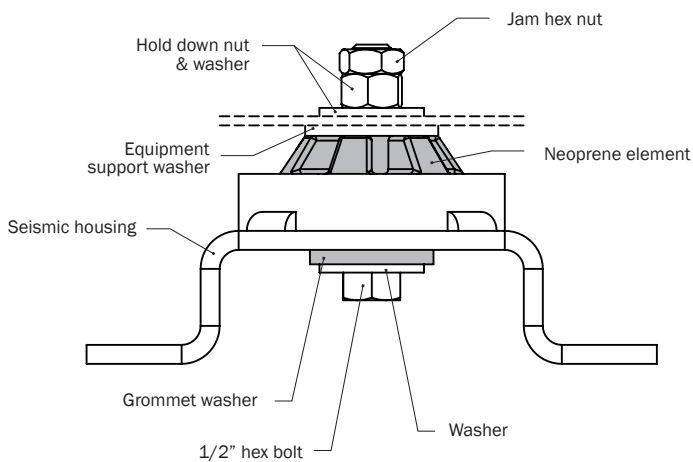


SRD-1



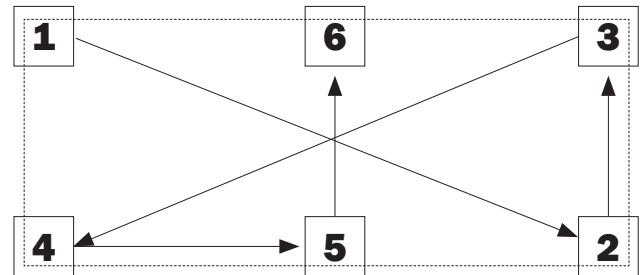
SRD-2



INSTRUCTIONS

1. Properly locate each isolator from the submittal drawing using isolator model and neoprene element as identification. If isolators are to be attached to the supporting structure, mark locations and make preparations as appropriate (e.g. drill holes and install anchor bolts).
2. Remove jam nut, hold-down nut, and hold-down washer from pre-assembled isolator. The bolt may drop from the assembly. Leave equipment support washer in place.
3. Lower equipment onto isolators and push the bolt through the equipment mounting hole.
4. Refer to manufacturer's instructions or Vibro-Acoustics' calculations for anchor installation details. The hold-down nut and washer may be loosely assembled temporarily to make anchor installation easier.
5. Equipment must be at operating weight before final adjustment can begin.
6. Once final operating weight is achieved, assemble the hold-down washer and hand tighten the hold-down nut. Ensure the bottom of the housing, grommet washer, lower washer, and hex bolt head are firmly in contact.
7. Add the jam nut to finalize the installation.

ISOLATOR ADJUSTMENT SEQUENCE EXAMPLE



Isolator adjustment sequence is similar for other quantities and configurations