

tel: 416-291-7371 1-800-565-8401
fax: 416-291-8049 1-888-811-2264

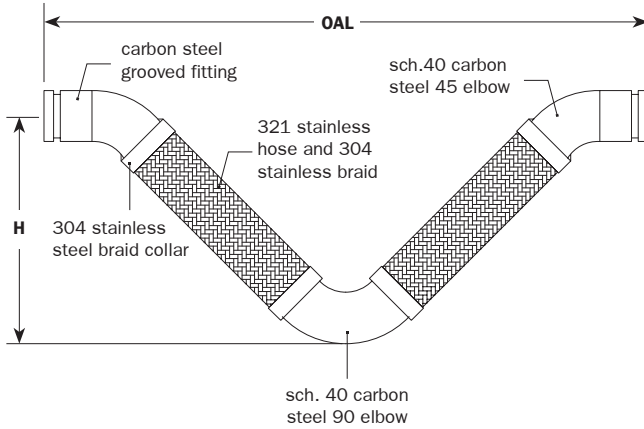
web: www.vibro-acoustics.com
eml: info@vibro-acoustics.com

**SSV-GR Seismic Steel V
with Carbon Steel Grooved Fittings**

SSV-GR

File No.: SSV-GR-001
Supersedes: New

Date: 30 Oct 2014
Date: New



TEMPERATURE DERATING FACTORS

Temperature °F	Multiplier
200	0.94
250	0.92
300	0.88
350	0.86
400	0.83
500	0.78
600	0.74
700	0.70

PERFORMANCE AND DIMENSIONS

Model	Nominal Size	"OAL" Overall Length	"H" Center-line to Elbow Dimension	Working Pressure @ 70 °F	Motion X,Y,Z
	in mm	in mm	in mm	psi	in
SSV2-GR (2" Motion)					
SSV2-2-GR	2 50	36.85 936	14.00 356	370	2
SSV2-2.50-GR	2 1/2 65	42.75 1086	16.60 422	400	2
SSV2-3-GR	3 80	46.75 1187	18.40 467	288	2
SSV2-4-GR	4 100	51.65 1312	20.32 516	250	2
SSV2-5-GR	5 125	57.00 1448	22.40 569	200	2
SSV2-6-GR	6 150	68.50 1740	27.40 696	175	2
SSV2-8-GR	8 200	79.50 2019	30.75 781	212	2
SSV2-10-GR	10 250	88.75 2254	34.11 866	175	2
SSV2-12-GR	12 300	100.50 2553	38.50 978	160	2
SSV3-GR (3" Motion)					
SSV3-2-GR	2 50	41.50 1054	16.35 415	370	3
SSV3-2.50-GR	2 1/2 65	48.00 1219	19.25 489	570	3
SSV3-3-GR	3 80	52.50 1334	21.25 540	450	3
SSV3-4-GR	4 100	57.50 1461	23.15 588	285	3
SSV3-5-GR	5 125	63.50 1613	25.50 648	210	3
SSV3-6-GR	6 150	74.00 1880	30.25 768	240	3
SSV3-8-GR	8 200	87.50 2223	34.60 879	217	3
SSV3-10-GR	10 250	96.00 2438	38.00 965	165	3
SSV3-12-GR	12 300	108.50 2756	42.75 1086	155	3
SSV4-GR (4" Motion)					
SSV4-2-GR	2 50	45.50 1156	18.30 465	370	4
SSV4-2.50-GR	2 1/2 65	52.50 1334	21.50 546	570	4
SSV4-3-GR	3 80	57.50 1461	23.68 601	450	4
SSV4-4-GR	4 100	62.50 1588	25.80 655	285	4
SSV4-5-GR	5 125	68.50 1740	28.20 716	210	4
SSV4-6-GR	6 150	80.00 2032	33.25 845	240	4
SSV4-8-GR	8 200	94.00 2388	38.00 965	217	4
SSV4-10-GR	10 250	103.00 2616	41.20 1046	165	4
SSV4-12-GR	12 300	116.00 2946	46.50 1181	155	4

NOTES

- The standard position is with the V and 90 degree elbow hanging down.
- Horizontal and vertical mounting yields the same allowance for motion provided the 90 degree elbow is supported properly to avoid sagging or excessive torquing.
- UL approved product available. Contact Vibro-Acoustics for UL approved product.
- See "Temperature Derating Factors Chart" for pressure derating multipliers by temperature. Apply multiplier to the working pressure to calculate the operating pressure at the corresponding temperature. i.e. working pressure for SSV3-6-GR at 300 °F is 0.88 × 240 psi = 211 psi
- Flexible connectors with higher pressure ratings can be custom built with additional braid layers.
- Dimensions shown not for construction. Vibro-Acoustics reserves the right to update dimensions depending on the material availability.
- Seismic V loops with stainless steel end fittings and stainless steel elbows are available upon request.
- All dimensions have ±1/8" tolerance per foot.
- SSV connectors larger than 1 1/2" Ø must be supported if installed in any other position than the standard position. Supporting cable or rod should be attached to an eyelet located at the bottom of the 90-degree elbow. Flexible cable or pipe hanger rods can also be used.

Project:	Model:	QTY of sets required:			
Customer:	DWN:	CHK:	REV:	DATE:	
Consultant:	TAG:	UNIT:			
V-A Project No.:	COMMENTS:				
V-A Project Manager:					